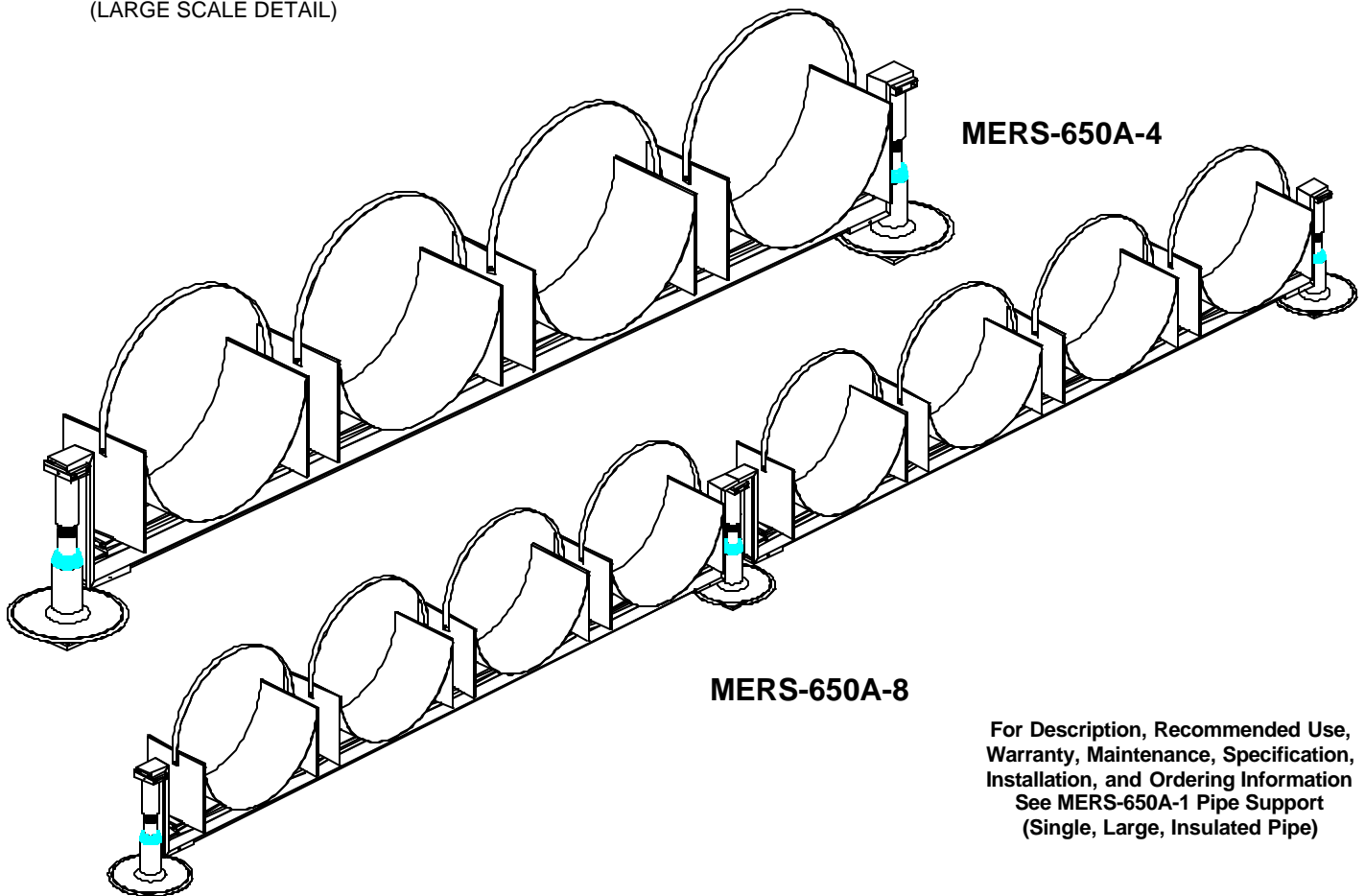
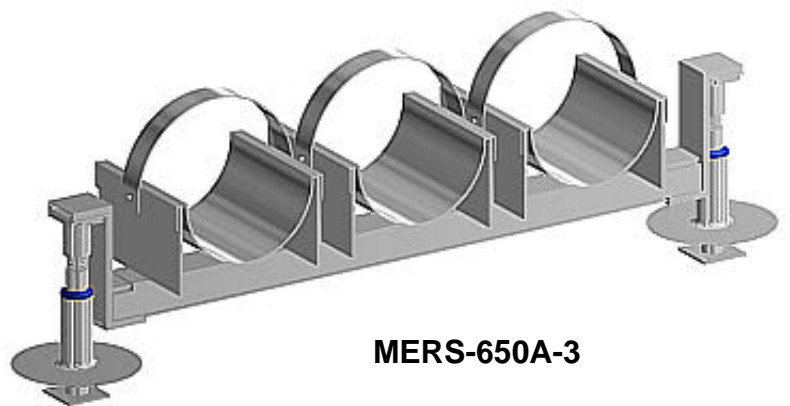
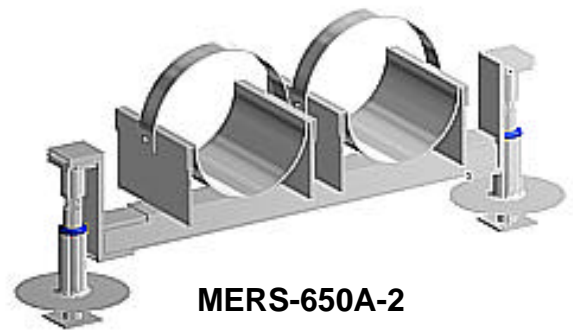


PERSPECTIVE VIEW OF CROSS-BAR CARRIER
TYPICAL MERS-650A ALUMINUM SUPPORT
(LARGE SCALE DETAIL)



For Description, Recommended Use, Warranty, Maintenance, Specification, Installation, and Ordering Information See MERS-650A-1 Pipe Support (Single, Large, Insulated Pipe)