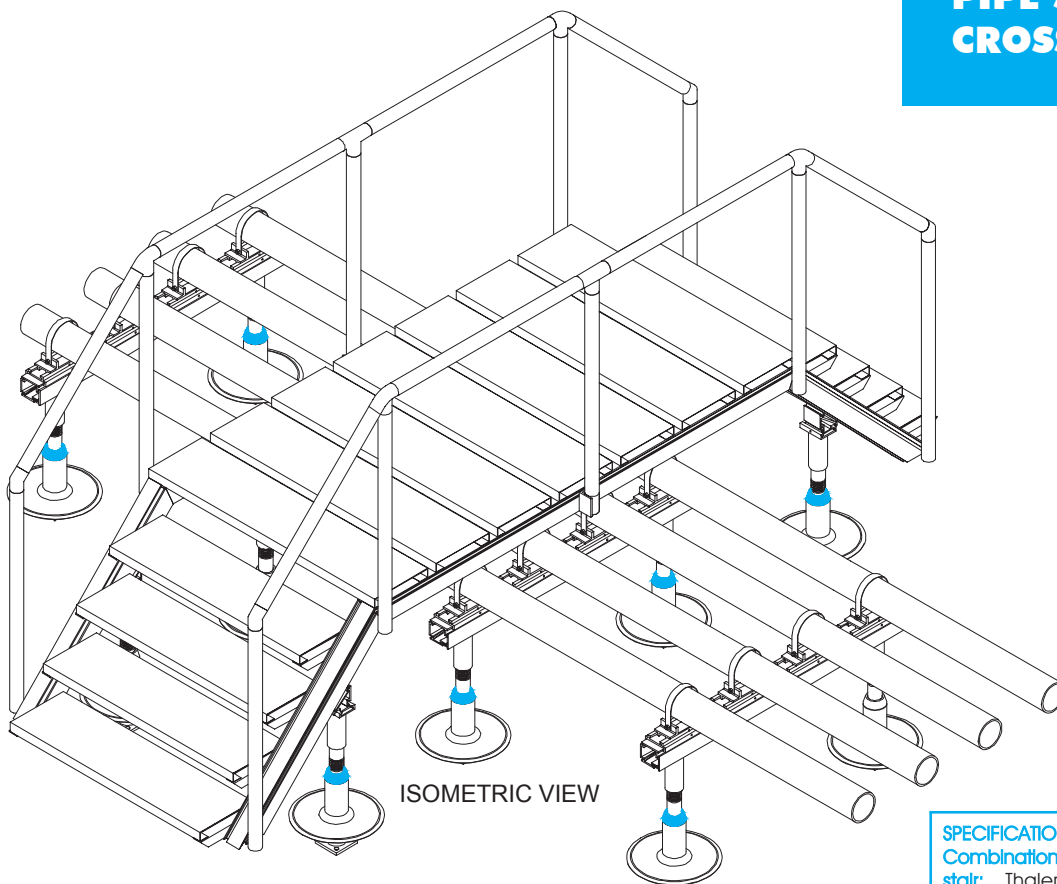
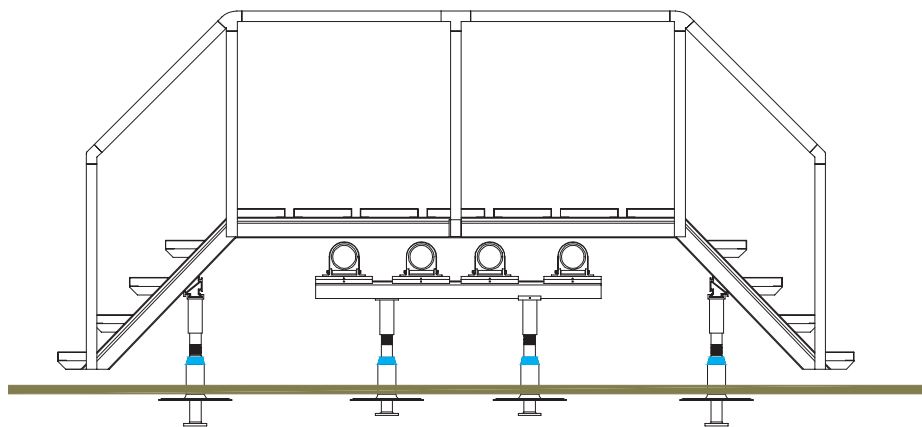


**MERS-709 COMBO
PIPE SUPPORT &
CROSS-OVER STAIR**



ISOMETRIC VIEW

MERS-709 COMBO PIPE SUPPORT & CROSS-OVER STAIR



SIDE VIEW

NOTE: FOR COMPLETE PRODUCT DATA, SEE MERS-630, MERS-707 AND ARS-680 DATA SHEETS (PAGES F-7, F-10 AND E-21) AS THE COMBO IS AN ASSEMBLY OF PARTS OF THESE THREE MODELS.

SPECIFICATION (Short Form)

Combination pipe supports and cross-over stair:

Thaler MERS-709 Combo Pipe Supports and Cross-Over Stair, consisting of [single] [double] [triple] [quadruple] pipe supports with; 6061-T6 alloy, mill finish, extruded aluminum base assembly and Type 304 s.s. roller and clearance type retaining straps, all sized to suit pipe diameter(s) [and EPDM end caps]; 6061-T6 mill finish aluminum, cross-over stair (Thaler ARS-680 stair) of size shown on the drawings with 3-3/4" x 3-3/4" x 1/4" (95 mm x 95 mm x 6 mm) aluminum stringer/platform support beams, 1/8" x 1-1/2" x 9" x 3'-0" (3 mm x 38 mm x 229 mm x 915 mm) alum. treads [screwed] [welded] to 1-1/2" x 1-1/2" x 1/2" (38 mm x 38 mm x 12 mm) alum. stringer angle supports and platform support beams, 1-1/2" (38 mm) dia. Schedule 40 pipe rail; adjustable height hollow aluminum, urethane insulated pipe and stair supports 2" (51 mm) dia. with appropriate hardware (adhesive type supplied by others) for fastening to structural roof deck and [SJ-34 non-insulated New-Standard STACK JACK flashing for concrete deck] [SJ-37 pre-insulated New-Standard STACK JACK flashing for steel deck] 7" (178 mm) high, consisting of [.064" (1.6 mm) mill finish 1100-OT alloy aluminum] [.021" (0.53 mm) 16 oz. copper] [.018" (0.46 mm) Type 304 stainless steel], 2" (51 mm) dia. to CSA B272-93 with EPDM Triple Pressure Grommet Seal and EPDM Base Seal and [PVC coated deck flange] [bituminous painted deck flange]; manufactured by Thaler Metal Industries, 1-800-387-7217 (Mississauga, Ontario, Canada) or 1-800-576-1200 (New Braunfels, TX), installed as per manufacturer's written instructions. Provide 20 year warranty against leaks, condensation and defects in materials and/or manufacture.

THALER 05 07 79 00
2005
ROOF ACCESSORIES
pipe supports