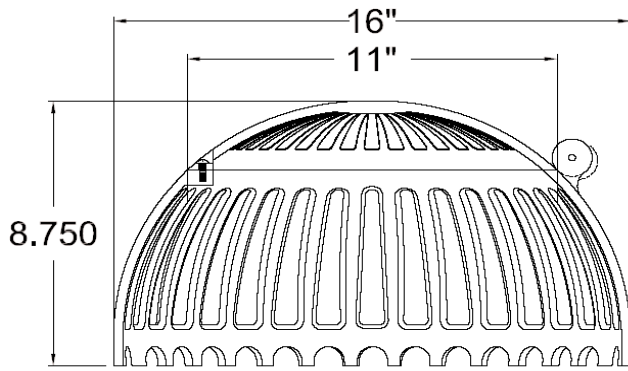


ROOF SPECIALTIES
RD-4A-8, RD-4A-10, or RD-4A-12
VANDALPROOF BIG
ALUMINUM ROOF DRAIN
(All Purpose, Straight Outlet), Also
Available in Copper, Stainless Steel,
and for Re-Roofing



NEW CONSTRUCTION

Aluminum



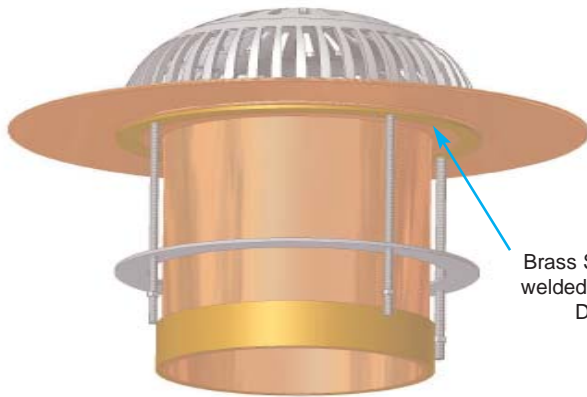
NEW 16" THALER DOME

SPECIFICATION (Short Form)

Roof drains: Thaler [RD-4A-8] [RD-4A-10] [RD-4A-12] big, aluminum roof drain for [8" (203 mm)] [10" (254 mm)] [12" (305mm)] leader size; with: vandalproof cast aluminum dome with hinged access gate clamped directly to drain body; .090" (2.4 mm) pan-formed aluminum drain body, deck flange and straight aluminum outlet with aluminum ferrule; 3/8" (9 mm) aluminum bolts welded to drain; cast aluminum stabilizer ring; cast aluminum under-deck clamping ring; [T-12 perforated 22 ga. (0.79 mm) s.s. ballast guard;] [PVC coated deck flange] [bituminous painted deck flange]; manufactured by Thaler Metal Industries, 1-800-387-7217 (Mississauga, Ontario, Canada) or 1-800-576-1200 (New Braunfels, TX), installed as per manufacturer's written instructions. Provide standard 20 year warranty against defects in materials and/or manufacture.

RD-4A-8, RD-4A-10 or RD-4A-12 VANDALPROOF ALUMINUM ROOF DRAIN FOR 8" (203 mm), 10" (254 mm), 12" (305mm) LEADER SIZES

ALSO AVAILABLE IN COPPER AND STAINLESS STEEL



Brass Stabilizer ring is welded to underside of Drain Body



RD-4C-8, RD-4C-10 or RD-4C-12 VANDALPROOF ALUMINUM ROOF DRAIN FOR 8" (203 mm), 10" (254 mm), 12" (305mm) LEADER SIZES

RD-4SS-8, RD-4SS-10 or RD-4SS-12 VANDALPROOF ALUMINUM ROOF DRAIN FOR 8" (203 mm), 10" (254 mm), 12" (305mm) LEADER SIZES

Material Specification for RD-4C-8, RD-4C-10 or RD-4C-12 (Copper) and RD-4SS-8, RD-4SS-10 or RD-4SS-12 (Stainless Steel) Roof Drains

Drain Type	16" Dome Strainer with Clamping Ring	Underdeck Clamping Ring	Drain Body and Base	Bolts and Nuts	Ferrule	T-12 Ballast Guard	T-5 Sediment Collar
RD-4A-8, RD-4A-10, RD-4A-12	Cast Aluminum	Cast Aluminum	Aluminum 0.09" (2.3 mm)	Aluminum	Aluminum	Stainless Steel	Aluminum
RD-4C-8, RD-4C-10, RD-4C-12	Cast Aluminum	Cast Aluminum	Copper base: 24 oz. 0.032" (0.813 mm) pipe: DWV 0.058" (1.47 mm)	Stainless Steel	Brass	Stainless Steel	Copper
RD-4SS-8, RD-4SS-10, RD-4SS-12	Cast Aluminum	Cast Aluminum	Stainless Steel base: 22Ga. (0.8mm) pipe: 304 L 0.12" (3mm)	Stainless Steel	Stainless Steel	Stainless Steel	Stainless Steel

THALER 03 22 14 26 FACILITY STORM DRAINS
 2005 roof drain specialties

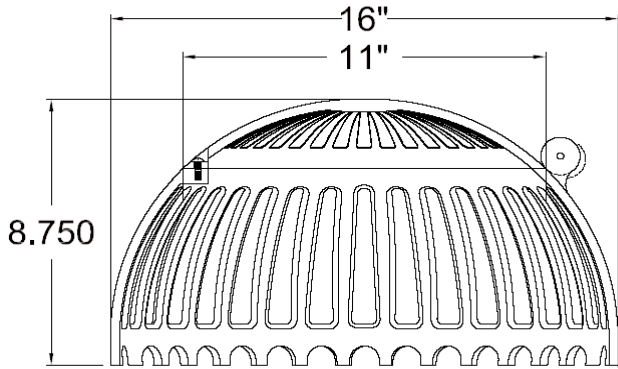


RE-ROOFING MODELS

SPECIFICATION (Short Form)

Roof drains: Thaler [RD-4A-8-RR] [RD-4A-10-RR][RD-4A-12-RR] big, aluminum retrofit roof drain for [8" (203 mm)] [10" (254 mm)] [12" (305mm)] leader size; with: vandalproof cast aluminum dome with hinged access gate clamped directly to drain body; .090" (2.4 mm) pan-formed aluminum drain body, deck flange and straight aluminum outlet; 8 pieces 3/8" (9 mm) aluminum bolts welded to drain; cast aluminum stabilizer ring; [T-12 perforated 22 ga. (0.79 mm) s.s. ballast guard;] [PVC coated deck flange] [bituminous painted deck flange]; manufactured by Thaler Metal Industries, 1-800-387-7217 (Mississauga, Ontario, Canada) or 1-800-576-1200 (New Braunfels, TX), installed as per manufacturer's written instructions. Provide standard 20 year warranty against defects in materials and/or manufacture.

RD-4A-8-RR, RD-4A-10-RR or RD-4A-12-RR VANDALPROOF ALUMINUM ROOF DRAIN FOR 8" (203 mm), 10" (254 mm), 12" (305mm) LEADER SIZES



NEW 16" THALER DOME



RD-4C-8-RR, RD-4C-10-RR or RD-4C-12-RR VANDALPROOF ALUMINUM ROOF DRAIN FOR 8" (203 mm), 10" (254 mm), 12" (305mm) LEADER SIZES



RD-4SS-8-RR, RD-4SS-10-RR or RD-4SS-12-RR VANDALPROOF ALUMINUM ROOF DRAIN FOR 8" (203 mm), 10" (254 mm), 12" (305mm) LEADER SIZES



Underside of Deck Flange Showing Cast Aluminum/Brass Stabilizer Ring Welded to Underside of Drain Body

Material Specification for RD-4C-RR-8, RD-4C-RR-10 or RD-4C-RR-12 (Copper) and RD-4SS-RR-8, RD-4SS-RR-10 or RD-4SS-RR-12 (Stainless Steel) Roof Drains

Drain Type	16" Dome Strainer with Clamping Ring	T-10 Underdeck Clamping	Drain Body and Base	Bolts and Nuts	T-12 Ballast Guard	T-5 Sediment Collar
RD-4A-RR-8 RD-4A-RR-10 RD-4A-RR-12	Cast Aluminum	Stainless Steel	Aluminum 0.09" (2.3 mm)	Aluminum	Stainless Steel	Aluminum
RD-4C-RR-8 RD-4C-RR-10 RD-4C-RR-12	Cast Aluminum	Stainless Steel	Copper base: 24 oz. 0.032" (0.813 mm) pipe: DWV 0.058" (1.47 mm)	Stainless Steel	Stainless Steel	Copper
RD-4SS-RR-8 RD-4SS-RR-10 RD-4SS-RR-12	Cast Aluminum	Stainless Steel	Stainless Steel base: 22Ga. (0.8mm) pipe: 304 L 0.12" (3mm)	Stainless Steel	Stainless Steel	Stainless Steel