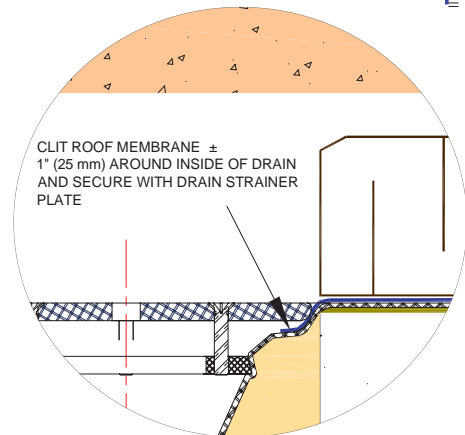
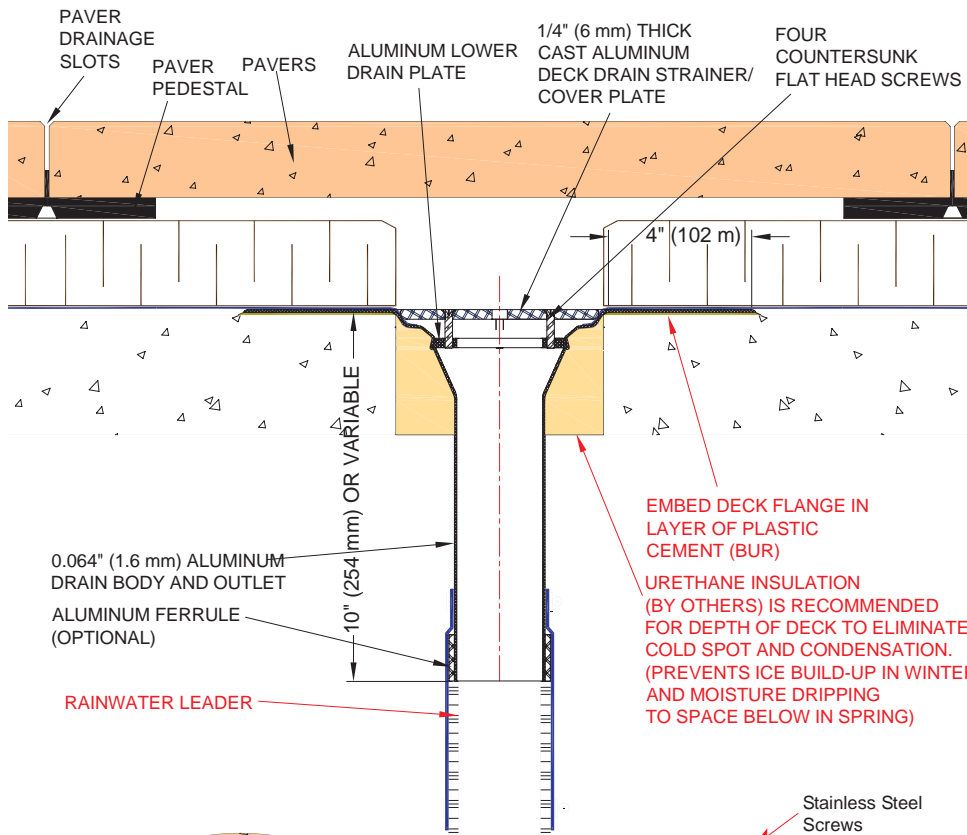


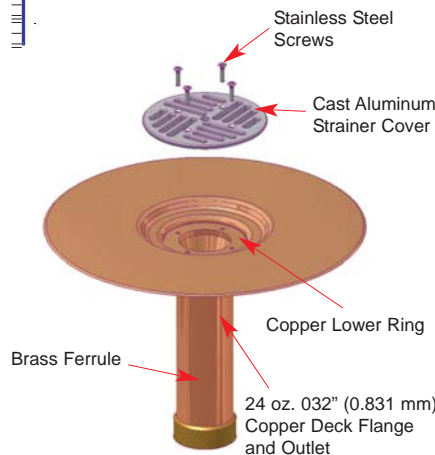
DD-1A ALUMINUM TERRACE DECK DRAIN, DD-1AF FLOOR DRAIN



DD-1A TERRACE DECK DRAIN (ALUMINUM)



LARGE SCALE DETAIL



DD-1C TERRACE DECK DRAIN (COPPER)

DESCRIPTION

The Thaler DD-1A Terrace Deck Drain consists of a cast aluminum cover strainer/plate, aluminum lower ring, cover plate retaining screws, aluminum funnel type outlet (with aluminum ferrule), and deck flange.

Leader Diameters: Suitable for 2" and 3" (51 mm and 76 mm) leader sizes, or 4" (102 mm) on special order.

Options: DD-1 C copper drain. PVC coated deck flange for PVC roof membrane. Bituminous painted deck flange for BUR and ModBit roof membrane.

RECOMMENDED USE

All purpose drain for terrace roofs in new construction applications with pavers, or floors (see reverse side of page).

APPROVALS

Conforms to ANSI A11.2.2.1 Roof Drains standard.

WARRANTY

20 year warranty against defects in materials and/or manufacture when installed in accordance with Thaler "Installation Instructions". Copy of Warranty Certificate available upon request.

MAINTENANCE

No maintenance required (maintenance free), however, as per CRCA/NRCA recommendations, drains should be inspected twice a year (spring and fall) and any debris removed.

SPECIFICATION (Short Form)

[Roof][Floor] drains: Thaler [DD-1A drain][DD-1C drain] for [2" (51 mm) 3" (76 mm)] [4" (102 mm)] leader size; with: 1/4" (6 mm) cast aluminum cover strainer, lower drain plate; [0.064" (1.6 mm) funnel type aluminum drain body, deck flange and straight aluminum outlet with aluminum ferrule] [24 oz. funnel type drain body, deck flange and straight copper outlet with brass ferrule]; four 1/4" (6 mm) s.s. screws; manufactured by Thaler Metal Industries, 1-800-387-7217 Mississauga, Ontario, Canada) or 1-800-576-1200 (New Braunfels, TX), installed as per manufacturer's written instructions. Provide standard 20 year warranty against defects in materials and/or manufacture.

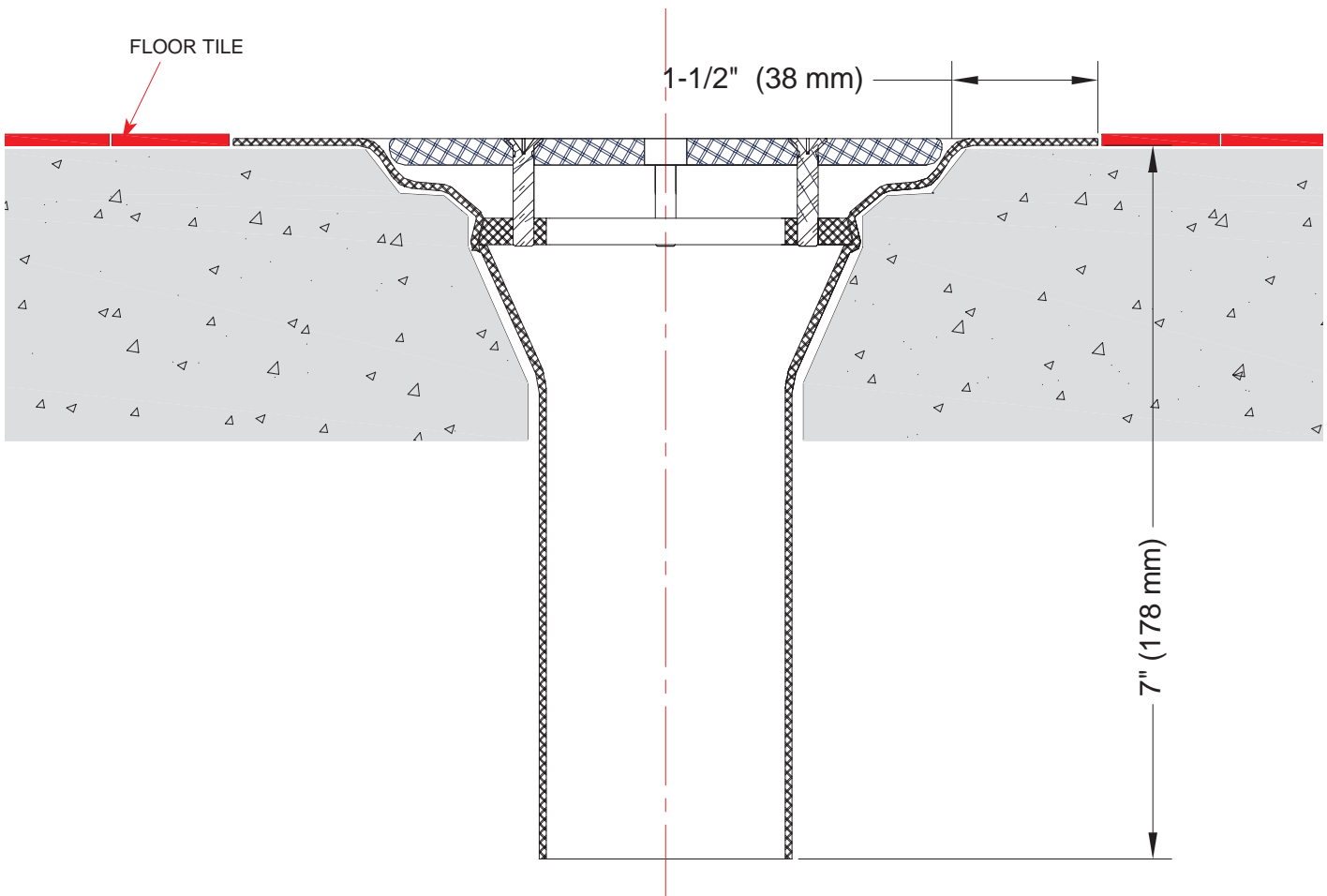
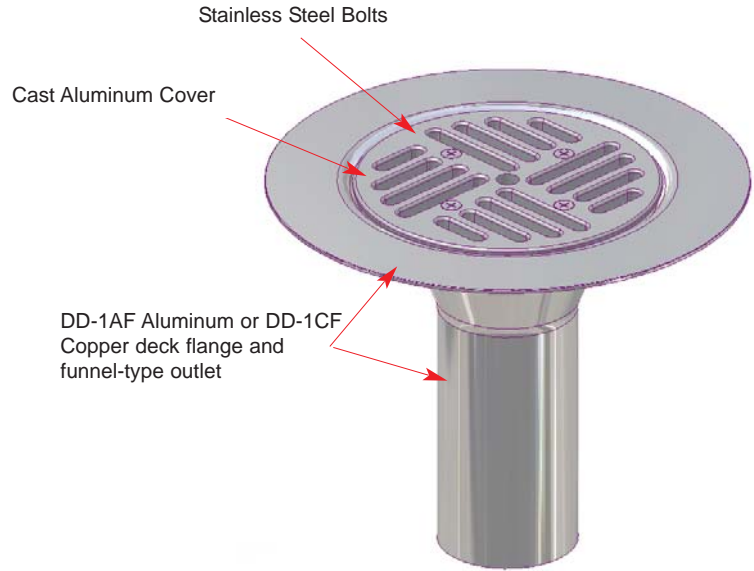
INSTALLATION

"Installation Instructions" are provided with every Thaler product. Essentially, the DD-1A or DD-1C roof drain is installed by fitting and connecting the drain outlet to the rainwater leader, applying the membrane over the drain deck flange and into the drain body minimum 1" (25 mm), installing the strainer cover and bolting into lower drain plate, and as follows:

Ordering: Available throughout North America. Contact Thaler for list of distributors and current cost information. Most products are readily available from stock.



PLAN VIEW



DD-1AF ALUMINUM FLOOR DRAIN / DD-1CF COPPER FLOOR DRAIN