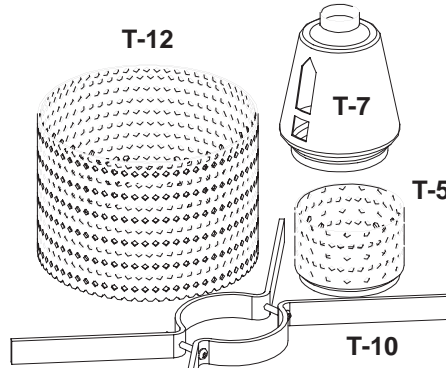
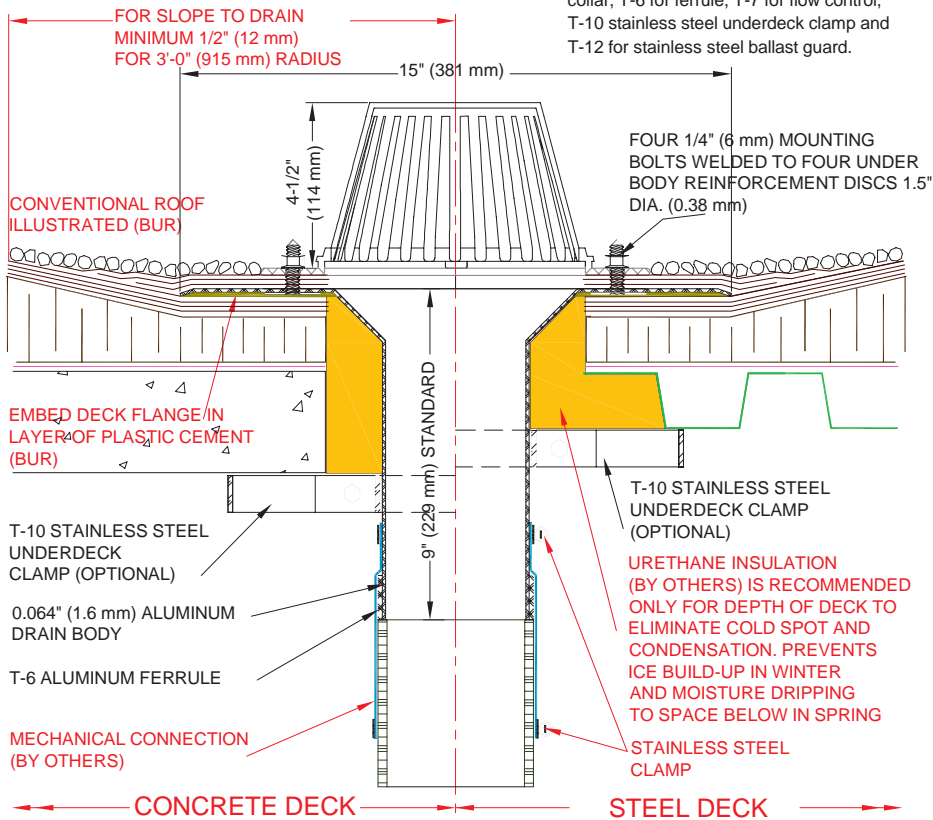


ROOF SPECIALTIES RD-38A ECONOMY ALUMINUM ROOF DRAIN (All Purpose, Funnel Outlet)



Note Specify accessories required by adding appropriate suffix to model number e.g. RD-38A-T-5 for sediment collar, T-6 for ferrule, T-7 for flow control, T-10 stainless steel underdeck clamp and T-12 for stainless steel ballast guard.



RD-38A ECONOMY ROOF DRAIN (Aluminum, Funnel Outlet)
RD-38C ECONOMY ROOF DRAIN (Copper, Funnel Outlet)
RD-38SS ECONOMY ROOF DRAIN (Stainless Steel, Funnel Outlet)

Note: RD-38C (Copper) and RD-38SS (Stainless Steel) similar. See reverse side of page for material changes.

INSTALLATION

"Installation Instructions" are provided with every Thaler product. Essentially, the RD-38A roof drain is installed by fitting and connecting the drain outlet into the rainwater leader, installing the dome strainer (including any optional accessories), and as follows:

BUR: Set drain flange over membrane in layer of mastic cement and flash in with 3 overlapping layers of felt flashing.

ModBit: Torch membrane until bitumen is fluid and set drain flange into fluid. Flash in flange with two overlapping layers of ModBit and seal with asphalt sealer.

Single Ply: Set drain flange in layer of membrane adhesive before applying membrane over flange. Note: for PVC membrane, specify PVC coated drain flange by adding suffix P to end of model number, e.g. RD-38A-P; weld roofing to drain flange using PVC torch.

Precautions: If coating drain flange with a bituminous paint on site, allow 24 hours for drying before applying roof membrane.

Ordering: Available throughout North America. Contact Thaler for list of distributors and current cost information. Most products are readily available from stock.

DESCRIPTION

The Thaler RD-38A Economy Roof Drain consists of a cast aluminum strainer, aluminum deck flange, and funnel type straight seamless aluminum outlet fitted with an aluminum ferrule.

Prominent Features: Removable dome strainer eliminates improper strainer installation or lost strainers that can result in plugged drains.

Leader Diameters: Suitable for 2" (51 mm) to 6" (152 mm) leader sizes.

Options: T-5 aluminum collar. T-7 aluminum Flow Control accessory (weir) for utilizing roof as temporary reservoir during excessive rainfall. T-10 stainless steel underdeck clamp. T-12 stainless steel ballast guard. PVC coated deck flange for PVC roof membrane. Bituminous painted deck flange for BUR and ModBit roof membrane.

RECOMMENDED USE

All purpose drain for flat roofs employing conventional roof membrane applications (without ballast guard) or inverted roof membrane applications (with ballast guard). Suitable for PVC, cast iron, steel, copper, or other type leaders.

APPROVALS

Conforms to ANSI A112.21.2 Roof Drains standard.

WARRANTY

20 year warranty against defects in materials and/or manufacture when installed in accordance with Thaler "Installation Instructions". Copy of Warranty Certificate available upon request.

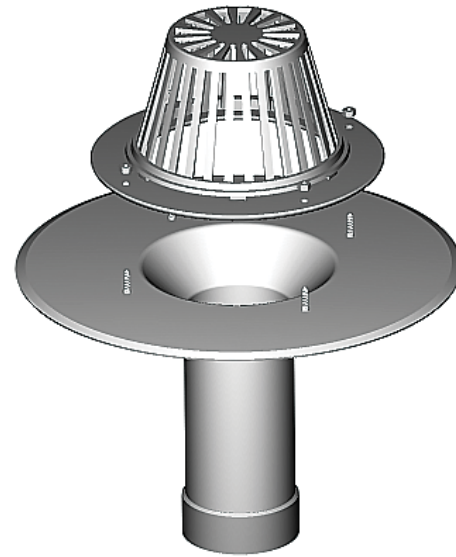
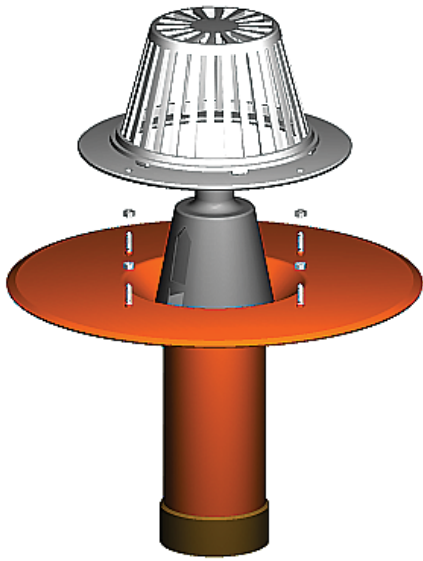
MAINTENANCE

No maintenance required (maintenance free), however, as per CRCA/NRCA recommendations, drains should be inspected twice a year (spring and fall) and any debris removed from both around and inside the strainer.

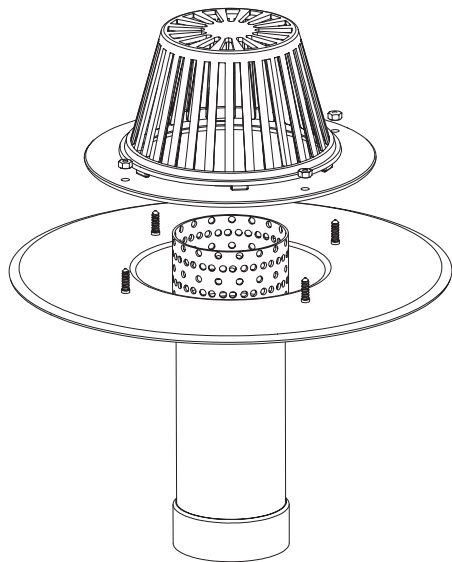
SPECIFICATION (Short Form)

Roof drains: Thaler RD-38A drain for [2" to 6" [51mm to 152 mm]] leader size, with: removable cast aluminum strainer with clamping ring; .064 [1.6 mm] deck flange and funnel outlet fitted with aluminum ferrule; [T-5 aluminum sediment collar] [T-7 aluminum flow control accessory;] [T-10 stainless steel underdeck clamp] [T-12 perforated 22 ga. [0.76 mm] s.s. ballast guard;] [PVC coated deck flange] [bituminous painted deck flange]; manufactured by Thaler Metal Industries, 1-800-387-7217 (Mississauga, Ontario, Canada) or 1-800-576-1200 (New Braunfels, TX), installed as per manufacturer's written instructions. Provide standard 20 year warranty against defects in materials and/or manufacture.

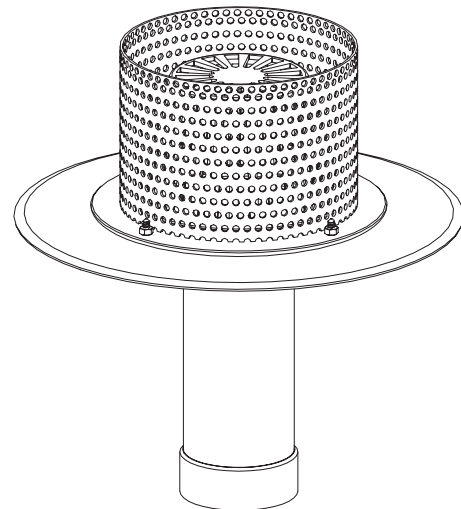
**RD-38C Copper Roof Drain
(T-7 Flow Control Accessory
Shown Friction Fitted to Drain
Body)**



**Exploded View of RD-38SS
Stainless Steel Roof Drain**



**Exploded View Showing Optional
T-5 Sediment Collar Accessory**



**View Showing Ballast Guard
Friction Fitted to Dome Strainer**

Material Specification for RD-38C (Copper) and RD-38SS (Stainless Steel) Roof Drains (RD-38A Aluminum Illustrated on page M-26)

Note: In Short Form specification on front side of sheet, edit clause to reflect choice of copper (RD-38C) or stainless steel (RD-38SS) roof drain in lieu of aluminum if desired.

Drain Type	Strainer	Underdeck Clamp	Drain Body and Base	T-5 Sediment Collar	T-6 Ferrule	T-7 Flow Control	T-12 Ballast Guard
RD-38A	Cast Aluminum	Stainless Steel	Aluminum 0.064" (1.6 mm)	Aluminum	Aluminum	Aluminum	Stainless Steel
RD-38C	Cast Aluminum	Stainless Steel	Copper base: 24 oz. 0.032" (0.831 mm) pipe: DWV 0.058" (1.47mm)	Copper	Brass	Copper or Painted Aluminum	Stainless Steel
RD-38SS	Cast Aluminum	Stainless Steel	Stainless Steel base: 22 Ga. (0.8 mm) pipe: 304 L 0.12" (3mm)	Stainless Steel	Stainless Steel	Painted Aluminum or Stainless Steel	Stainless Steel