

ROOF SPECIALTIES RD-29A-RR ECONOMY RETROFIT ALUMINUM ROOF DRAIN (All Purpose, Straight Outlet)

DESCRIPTION

The Thaler RD-29A-RR Economy Retrofit Roof Drain consists of a removable PVC strainer, aluminum deck flange, perforated aluminum gravel stop and straight seamless aluminum outlet fitted with a patented EPDM sealing ring (Thaler Super-Seal). The Super Seal provides a superior seal in the event or pipes become clogged (see Thaler Super-Seal Retrofit Drain Seal literature).

Prominent Features: Provides best value for least cost when retrofitting existing drains; super seal ring permits faster, cheaper installation than other comparably priced drains while providing an extremely reliable seal.

Leader Diameters: 1-3/4", 2-3/4", 3-3/4", 4-3/4", and 5-3/4" (44 mm, 70 mm, 95 mm, 121 mm and 146 mm)

Options: Cast aluminum strainer. T-5 aluminum sediment collar. T-7 aluminum Flow Control accessory (weir) for utilizing roof as temporary reservoir during excessive rainfall. T-10 stainless steel underdeck clamp. T-12 stainless steel ballast guard. See Thaler Roof Drain Options literature. PVC coated deck flange for PVC roof membrane. Bituminous painted deck flange for BUR and ModBit roof membrane.

RECOMMENDED USE

All purpose retrofit economy drain for flat roofs, employing conventional roof membrane applications (without ballast guard) or inverted roof membrane applications (with ballast guard). Suitable for PVC, cast iron, steel, copper, or other type leaders.

APPROVALS

Conforms to ANSI A112.21.2 Roof Drains standard.

WARRANTY

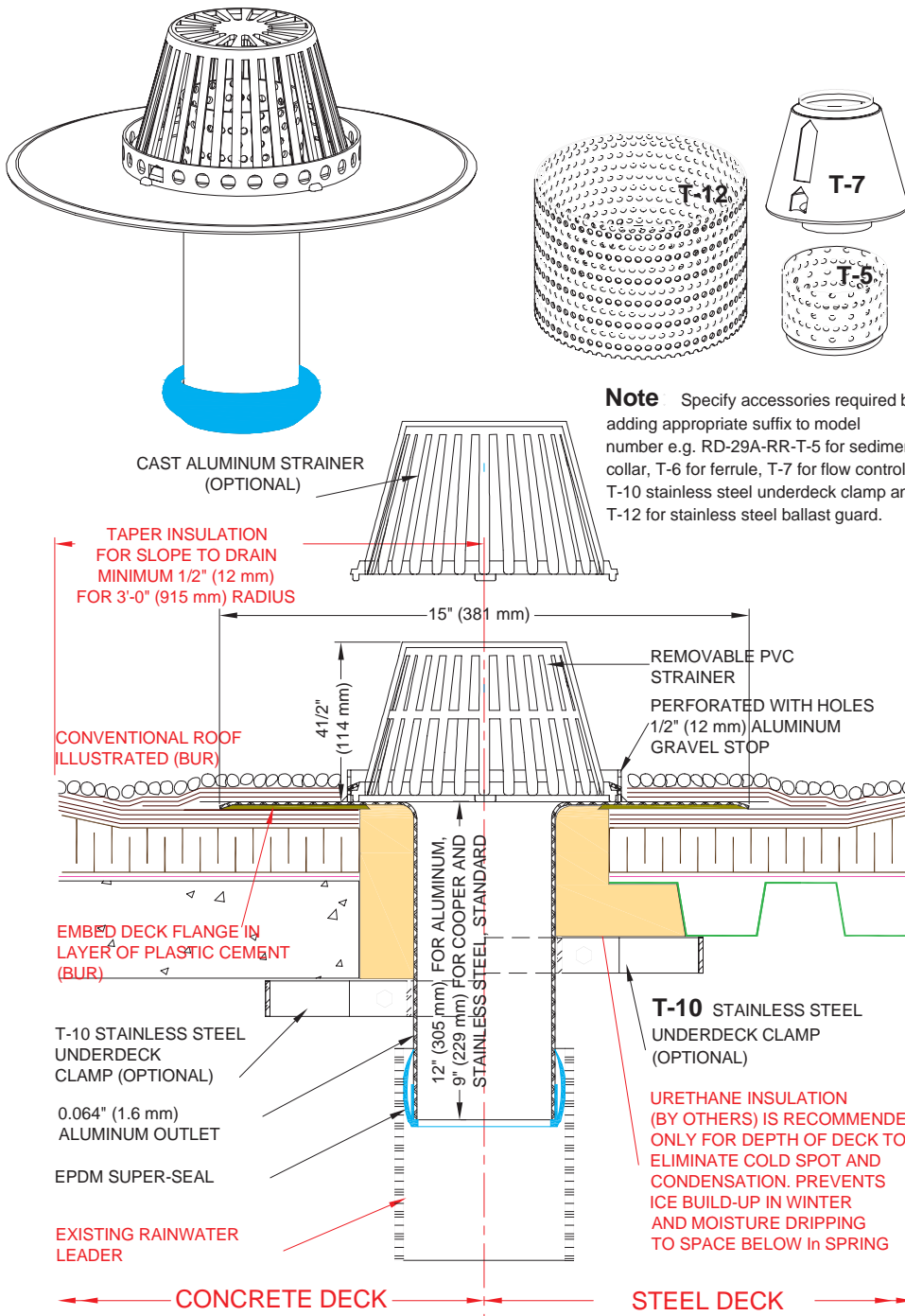
20 year warranty against defects in materials and/or manufacture when installed in accordance with Thaler "Installation Instructions". Copy of Warranty Certificate available upon request.

MAINTENANCE

No maintenance required (maintenance free), however, as per CRCA/NRCA recommendations, drains should be inspected twice a year (spring and fall) and any debris removed from both around and inside the strainer.

SPECIFICATION (Short Form)

Roof drains: Thaler RD-29A-RR drain for [2" to 6" (51 mm to 152 mm)] leader size, with: removable [PVC] [cast aluminum] strainer; perforated .064" (1.6 mm) seamless aluminum gravel stop; .064" (1.6 mm) deck flange and straight outlet fitted with Super-Seal EPDM sealing ring; [T-5 aluminum sediment collar] [T-7 aluminum flow control accessory]; [T-10 stainless steel underdeck clamp] [T-12 perforated 22 ga. (0.76 mm) s.s. ballast guard]; [PVC coated deck flange] [bituminous painted deck flange]; manufactured by Thaler Metal Industries, 1-800-387-7217 (Mississauga, Ontario, Canada) or 1-800-576-1200 (New Braunfels, TX), installed as per manufacturer's written instructions. Provide standard 20 year warranty against defects in materials and/or manufacture.



Note Specify accessories required by adding appropriate suffix to model number e.g. RD-29A-RR-T-5 for sediment collar, T-6 for ferrule, T-7 for flow control, T-10 stainless steel underdeck clamp and T-12 for stainless steel ballast guard.

- RD-29A-RR ECONOMY ROOF DRAIN (Aluminum, Straight Outlet, Retrofit)
- RD-29C-RR ECONOMY ROOF DRAIN (Copper, Straight Outlet, Retrofit)
- RD-29SS-RR ECONOMY ROOF DRAIN (Stainless Steel, Straight Outlet, Retrofit)

Note: RD-29C-RR (Copper) and RD-29SS-RR (Stainless Steel) similar. See reverse side of page for material changes.

INSTALLATION

"Installation Instructions" are provided with every Thaler product. Essentially, the RD-29A-RR roof drain is installed by fitting the drain outlet into the rainwater leader, slowly rotating and pushing down into position, installing the dome strainer (including any optional accessories), and as follows:

BUR: Set drain flange over membrane in layer of plastic cement and flash in with 3 overlapping layers of felt flashing.

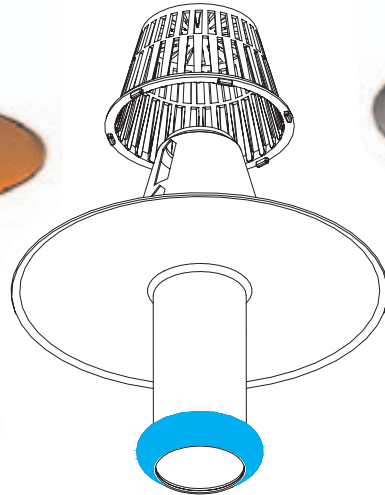
ModBit: Torch membrane until bitumen is fluid and set drain flange into fluid. Flash in flange with two overlapping layers of ModBit and seal with asphalt sealer.

Single Ply: Set drain flange in layer of membrane adhesive before applying membrane over flange. Note: for PVC membrane, specify PVC coated drain flange by adding suffix P to end of model number, e.g. RD-28A-RR-P; weld roofing to drain flange using PVC torch.

Precautions: If coating drain flange with a bituminous paint on site, allow 24 hours for drying before applying roof membrane.

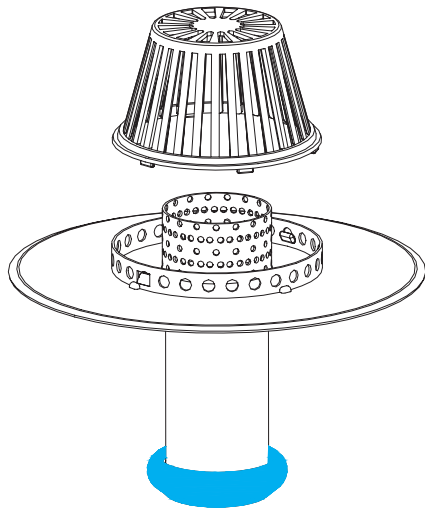
Ordering: Available throughout North America. Contact Thaler for list of distributors and current cost information. Most products are readily available from stock.

RD-29C (Copper Roof Drain)

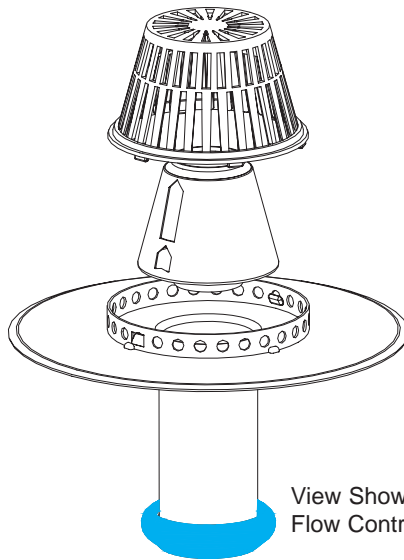


Underside of Deck Flange Showing Straight Outlet

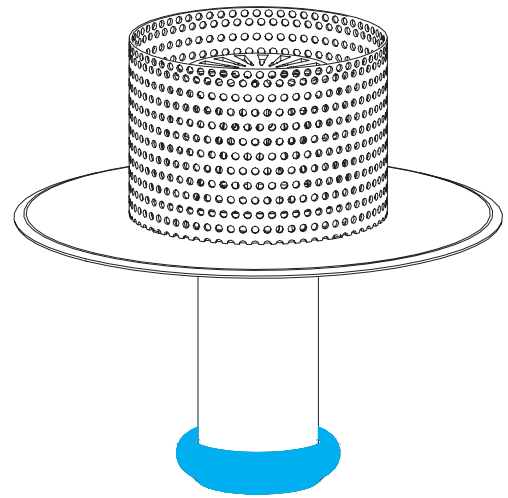
RD-29SS (Stainless Steel Roof Drain)



Exploded View Showing Optional T-5 Sediment Collar Accessory



View Showing Optional T-7 Flow Control Accessory



View Showing Ballast Guard Friction Fitted To Dome Strainer

Material Specification for RD-29C-RR (Copper) and RD-29SS-RR (Stainless Steel) Roof Drains (RD-29A-RR Aluminum Illustrated on page M-22)

Note: In Short Form specification on front side of sheet, edit clause to reflect choice of copper (RD-29C-RR) or stainless steel (RD-29SS-RR) roof drain in lieu of aluminum if desired.

Drain Type	Strainer	Underdeck Clamp	Drain Body and Base	T-5 Sediment Collar	T-6 Ferrule	T-7 Flow Control	T-12 Ballast Guard
RD-29A-RR	PVC or Cast Aluminum	Stainless Steel	Aluminum 0.064" (1.6 mm)	Aluminum	Aluminum	Aluminum	Stainless Steel
RD-29C-RR	PVC or Cast Aluminum	Stainless Steel	Copper base: 24 oz. 0.032" (0.831mm) pipe: DWV 0.058" (1.47mm)	Copper	Brass	Copper or Painted Aluminum	Stainless Steel
RD-29SS-RR	PVC or Cast Aluminum	Stainless Steel	Stainless Steel base: 22 Ga. (0.8mm) pipe: Type 304 L 0.12" (3 mm)	Stainless Steel	Stainless Steel	Painted Aluminum or Stainless Steel	Stainless Steel