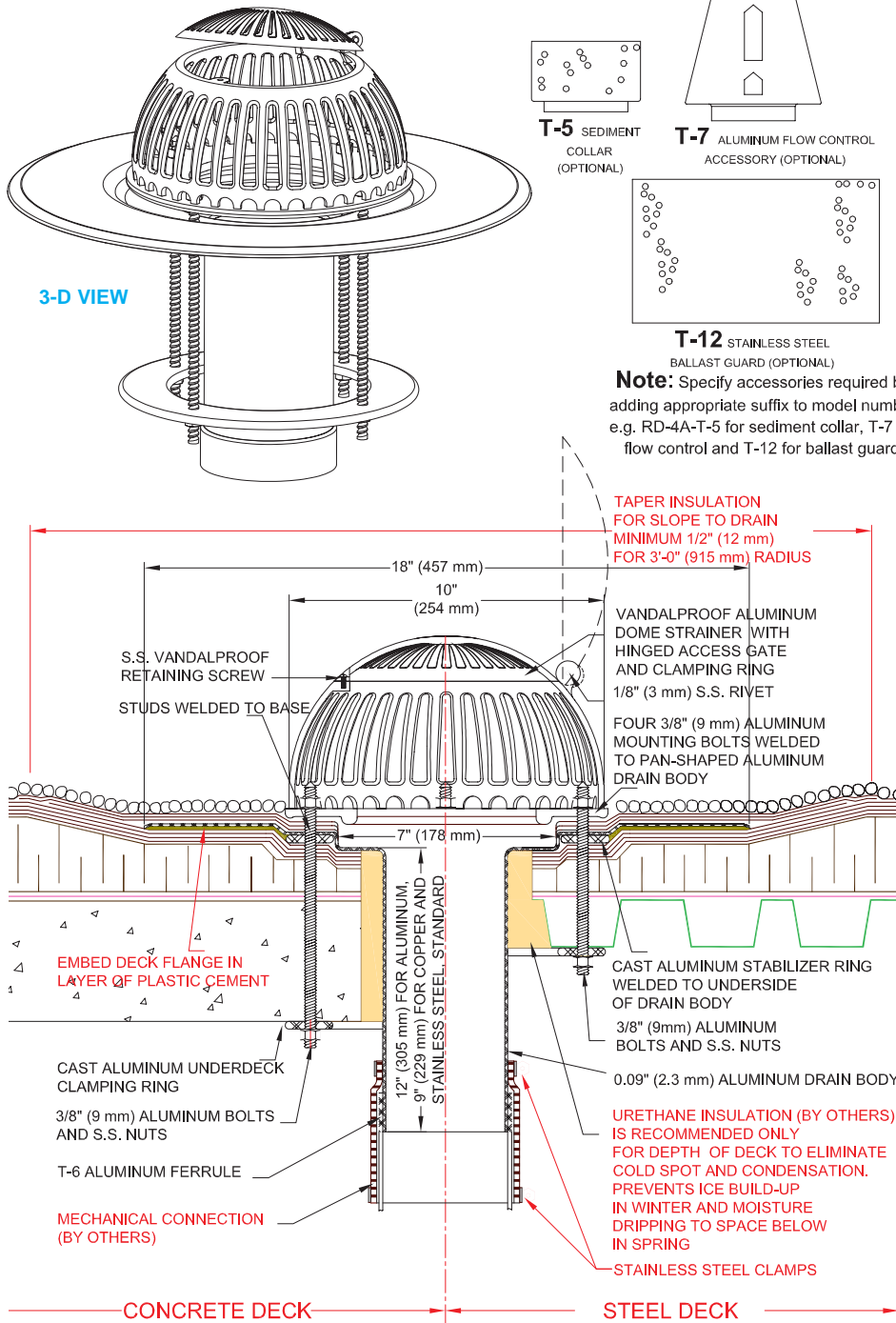


ROOF SPECIALTIES RD-4A VANDALPROOF ALUMINUM ROOF DRAIN (All Purpose, Straight Outlet)



RD-4A VANDALPROOF ALUMINUM ROOF DRAIN (All Purpose, Straight Outlet) Note: RD-4C (Copper) and RD-4SS (Stainless Steel) Roof Drains similar. See reverse side of page for material change.

INSTALLATION

"Installation Instructions" are provided with every Thaler product. Essentially, the RD-4A roof drain is installed by fitting and connecting the drain outlet into the rainwater leader, installing the dome strainer (including any optional accessories), and as follows:

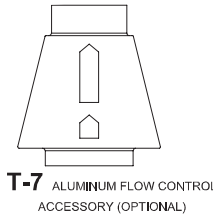
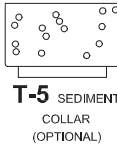
BUR: Set drain flange over membrane in layer of mastic cement and flash in with 3 overlapping layers of felt flashing.

ModBit: Torch membrane until bitumen is fluid and set drain flange into fluid. Flash in flange with two overlapping layers of ModBit and seal with asphalt sealer.

Single Ply: Set drain flange in layer of membrane adhesive before applying membrane over flange. Note: for PVC membrane, specify PVC coated drain flange by adding suffix P to end of model number, e.g. RD-4A-P; weld roofing to drain flange using PVC torch.

Precautions: If coating drain flange with a bituminous paint on site, allow 24 hours for drying before applying roof membrane.

Ordering: Specify accessories required by adding appropriate suffix to model number e.g. RD-4A-T-5 for sediment collar, T-7 for flow control and T-12 for ballast guard. Available throughout North America. Contact Thaler for list of distributors and current cost information. Most products are readily available from stock.



Note: Specify accessories required by adding appropriate suffix to model number e.g. RD-4A-T-5 for sediment collar, T-7 for flow control and T-12 for ballast guard.

DESCRIPTION

The Thaler RD-4A Roof Drain consists of a vandalproof cast aluminum dome with hinged access gate, cast aluminum stabilizer ring, aluminum mounting bolts, pan-formed aluminum drain body and straight aluminum outlet (with aluminum ferrule), deck flange, and cast aluminum under-deck clamping ring.

Prominent Features: Non-removable dome strainer eliminates improper strainer installation or lost strainers that can result in plugged drains. Vandalproof hinged access gate (allen-key opening) allows drain to be cleaned if necessary, or dismantled by permitting access to bolts inside drain.

Leader Diameters: Suitable for 3", 4", 5" and 6" (76 mm, 102 mm, 127 mm and 152 mm) leader sizes.

Options: T-5 aluminum sediment collar. T-7 aluminum Flow Control accessory (weir) for utilizing roof as temporary reservoir during excessive rainfall. T-12 stainless steel ballast guard. See Thaler Roof Drain Options literature. PVC coated deck flange for PVC roof membrane. Bituminous painted deck flange for BUR and ModBit roof membrane.

RECOMMENDED USE

All purpose drain for flat roofs in new construction employing conventional roof membrane applications (without ballast guard) or inverted roof membrane applications (with ballast guard). Suitable for PVC, cast iron, steel, copper, or other type leaders.

APPROVALS

Conforms to ANSI A112.21.2 Roof Drains standard.

WARRANTY

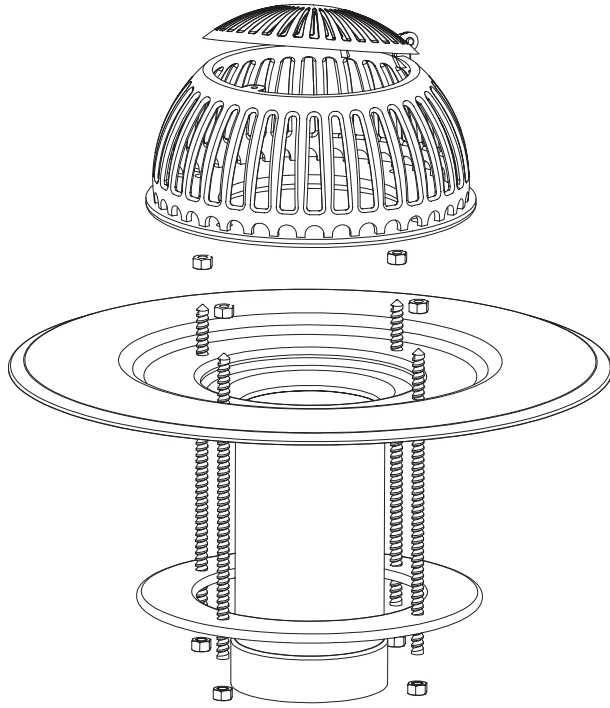
20 year warranty against defects in materials and/or manufacture when installed in accordance with Thaler "Installation Instructions". Copy of Warranty Certificate available upon request.

MAINTENANCE

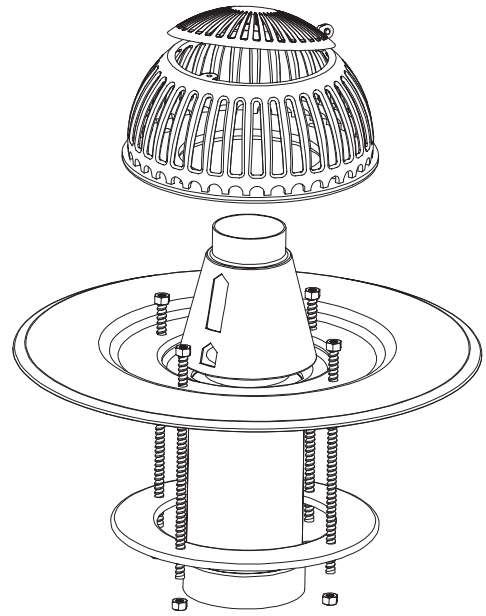
No maintenance required (maintenance free), however, as per CRCA/NRCA recommendations, drains should be inspected twice a year (spring and fall) and any debris removed from both around and inside the strainer.

SPECIFICATION (Short Form)

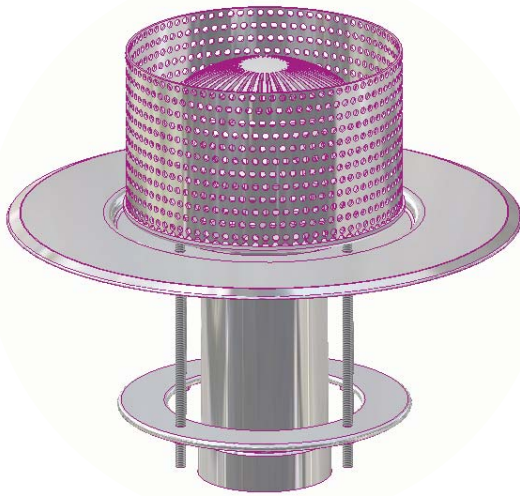
Roof drains: Thaler RD-4A drain for [3" (76 mm)] [4" (102 mm)] [6" (152 mm)] leader size; with: vandalproof cast aluminum dome with hinged access gate clamped directly to drain body; .090" (2.3 mm) pan-formed aluminum drain body, deck flange and straight aluminum outlet with aluminum ferrule; 3/8" (9 mm) aluminum bolts welded to drain; cast aluminum stabilizer ring; cast aluminum under-deck clamping ring; [T-5 aluminum sediment collar; [T-7 aluminum flow control accessory;] [T-12 perforated 22 ga. (0.79 mm) s.s. ballast guard;] [PVC coated deck flange] [bituminous painted deck flange]; manufactured by Thaler Metal Industries, 1-800-387-7217 (Mississauga, Ontario, Canada) or 1-800-576-1200 (New Braunfels, TX), installed as per manufacturer's written instructions. Provide standard 20 year warranty against defects in materials and/or manufacture.



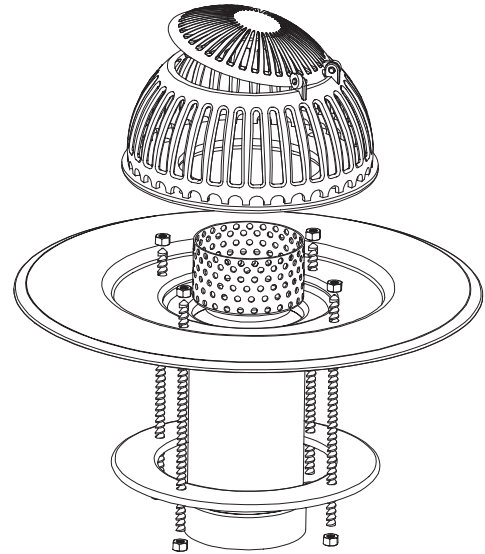
EXPLODED VIEW



Optional T-7 Flow Control Accessory
(Shown Friction Fitted To Drain Body)



Optional T-12 Stainless Steel Ballast Guard
(Shown Friction Fitted To Drain Body)



Optional With T-7 Sediment Collar
(Shown Friction Fitted To Drain Body)

Material Specification for RD-4C (Copper) and RD-4SS (Stainless Steel) Roof Drains (RD-4A Illustrated on page M-2)
Note: In Short form Specification on front of sheet, edit specification clause to reflect choice copper (RD-4C) or stainless steel (RD-4SS) roof drain in lieu of aluminum if desired.

Drain Type	Dome Strainer	Stabilizer Ring	Underdeck Clamping Ring	Drain Body and Base	Bolts and Nuts	Ferrule	T-5 Sediment Collar	T-7 Flow Control	T-12 Ballast Guard
RD-4A	Cast Aluminum	Cast Aluminum	Cast Aluminum	Aluminum 0.09" (2.3 mm)	Aluminum	Aluminum	Aluminum	Aluminum	Stainless Steel
RD-4C	Cast Aluminum	Brass	Cast Aluminum	Copper base: 24 oz. 0.032" (0.813mm) pipe: DWV 0.058" (1.47 mm)	Stainless Steel	Brass	Copper	Copper or Painted Aluminum	Stainless Steel
RD-4SS	Cast Aluminum	Cast Aluminum	Cast Aluminum	Stainless Steel base: 22Ga. (0.8mm) pipe: 304 L 0.12" (3mm)	Stainless Steel	Stainless Steel	Stainless Steel	Painted Aluminum or Stainless Steel	Stainless Steel