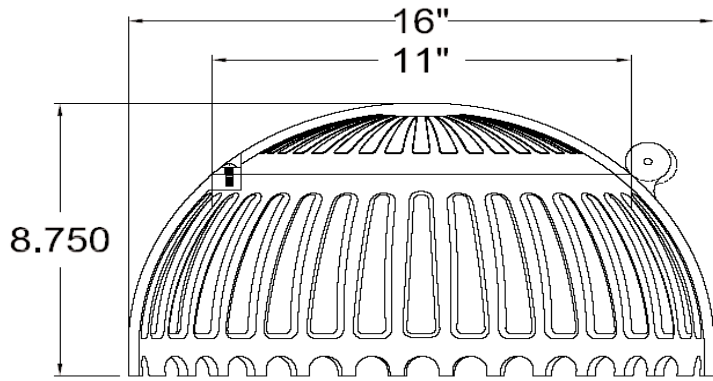


ROOF SPECIALTIES
RD-24A-8, RD-24A-10, RD-24A-12
VANDALPROOF BIG
ALUMINUM ROOF DRAIN
(All Purpose, Straight Outlet).
Also Available in Copper, Stainless,
and for Re-roofing



NEW CONSTRUCTION



NEW 16" THALER DOME

RD-24A-8, RD-24A-10, RD-24A-12 VANDALPROOF BIG ALUMINUM ROOF DRAIN FOR 8" (203 mm), 10" (254 mm) 12" (305mm) LEADER SIZES

SPECIFICATION (Short Form)

Roof drains: Thaler RD-24A-8, RD-24A-10, RD-24A-12 drain for [8" (203 mm)] [10" (254 mm)] [12" (305mm)] leader sizes; with: vandalproof cast aluminum dome with hinged access gate welded to cast aluminum ring; .090" (2.4 mm) flat aluminum drain body, deck flange and straight aluminum outlet with aluminum ferrule; eight 3/8" (9 mm) aluminum bolts welded to reinforcement discs; [T-10 stainless steel underdeck clamp;] [T-12 perforated 22 ga. (0.76 mm) s.s. ballast guard;] [PVC coated deck flange] [bituminous painted deck flange]; manufactured by Thaler Metal Industries, 1-800-387-7217 (Mississauga, Ontario, Canada) or 1-800-576-1200 (New Braunfels, TX), installed as per manufacturer's written instructions. Provide standard 20 year warranty against defects in materials and/or manufacture.

ALSO AVAILABLE IN COPPER AND STAINLESS STEEL



Underside of Deck Flange showing Reinforcement Discs



RD-24C-8, RD-24C-10, RD-24C-12 VANDAL-PROOF BIG ALUMINUM ROOF DRAIN FOR 8" (203 mm), 10" (254 mm) 12" (305mm) LEADER SIZES

RD-24SS-8, RD-24SS-10, RD-24SS-12 VANDAL-PROOF BIG ALUMINUM ROOF DRAIN FOR 8" (203 mm), 10" (254 mm) 12" (305mm) LEADER SIZES

Material Specification for RD-24C-8, RD-24C-10, RD-24C-12 (Copper) and RD-4SS-8, RD-4SS-10, RD-4SS-12 (Stainless Steel) Roof Drains

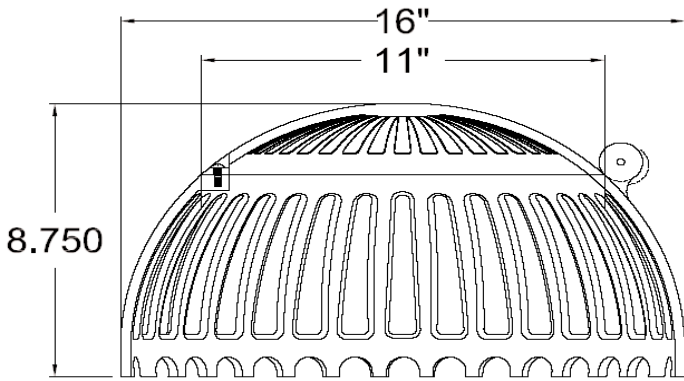
Drain Type	16" Dome Strainer with Clamping Ring	Drain Body and Base	Bolts and Nuts	Ferrule	T-12 Ballast Guard	T-10 Underdeck Clamp
RD-24A-8 RD-24A-10 RD-24A-12	Cast Aluminum	Aluminum 0.090" (2.3 mm)	Aluminum	Aluminum	Stainless Steel	Stainless Steel
RD-24C-8 RD-24C-10 RD-24C-12	Cast Aluminum	Copper base: 24 oz. 0.032" (0.831 mm) pipe: DWV 0.058" (1.47 mm)	Stainless Steel	Brass	Stainless Steel	Stainless Steel
RD-24SS-8 RD-24SS-10 RD-24SS-12	Cast Aluminum	Stainless Steel base: 22Ga. (0.8mm) pipe: 304 L 0.12" (3mm)	Stainless Steel	Stainless Steel	Stainless Steel	Stainless Steel

THALER 07 22 14 26 FACILITY STORM DRAINS 2005 roof drain specialties

RE-ROOFING MODELS

SPECIFICATION (Short Form)

Roof drains: Thaler RD-24A-RR-8, RD-24A-RR-10, RD-24A-RR-12 drain for [8" (203 mm)] [10" (254 mm)] [12" (305mm)] leader sizes; with: vandalproof cast aluminum dome with hinged access gate welded to cast aluminum ring; .090" (2.3 mm) flat aluminum drain body, deck flange and straight aluminum outlet; eight 3/8" (9 mm) aluminum bolts welded to reinforcement discs; [T-10 stainless steel underdeck clamp;] [T-12 perforated 22 ga. (0.76 mm) s.s. ballast guard;] [PVC coated deck flange] [bituminous painted deck flange]; manufactured by Thaler Metal Industries, 1-800-387-7217 (Mississauga, Ontario, Canada) or 1-800-576-1200 (New Braunfels, TX), installed as per manufacturer's written instructions. Provide standard 20 year warranty against defects in materials and/or manufacture.



NEW 16" THALER DOME



**RD-24C-RR-8, RD-24C-RR-10, RD-24C-RR-12 VANDALPROOF
BIG ALUMINUM ROOF DRAIN
FOR 8" (203 mm), 10" (254 mm) 12" (305mm) LEADER SIZES**

**Underside of
Deck Flange
Showing
Reinforcement
Discs**

**RD-24SS-RR-8, RD-24SS-RR-10, RD-24SS-RR-12
VANDALPROOF BIG ALUMINUM ROOF DRAIN
FOR 8" (203 mm), 10" (254 mm) 12" (305mm)
LEADER SIZES**



**RD-24A-RR-8, RD-24A-RR-10, RD-24A-RR-12 VANDALPROOF
BIG ALUMINUM ROOF DRAIN
FOR 8" (203 mm), 10" (254 mm) 12" (305mm) LEADER SIZES**



Material Specification for RD-24C-RR-8, RD-24C-RR-10, RD-24C-RR-12 (Copper) and RD-4SS-RR-8, RD-4SS-RR-10, RD-4SS-RR-12 (Stainless Steel) Roof Drains

Drain Type	16" Dome Strainer with Clamping Ring	Drain Body and Base	Bolts and Nuts	T-12 Ballast Guard	T-10 Underdeck Clamp
RD-24A-RR-8 RD-24A-RR-10 RD-24A-RR-12	Cast Aluminum	Aluminum 0.090" (2.3 mm)	Aluminum	Stainless Steel	Stainless Steel
RD-24C-RR-8 RD-24C-RR-10 RD-24C-RR-12	Cast Aluminum	Copper base: 24 oz. 0.032" (0.831 mm) pipe: DWV 0.058" (1.47 mm)	Stainless Steel	Stainless Steel	Stainless Steel
RD-24SS-RR-8 RD-24SS-RR-10 RD-24SS-RR-12	Cast Aluminum	Stainless Steel base: 22Ga. (0.8mm) pipe: 304 L 0.12" (3mm)	Stainless Steel	Stainless Steel	Stainless Steel