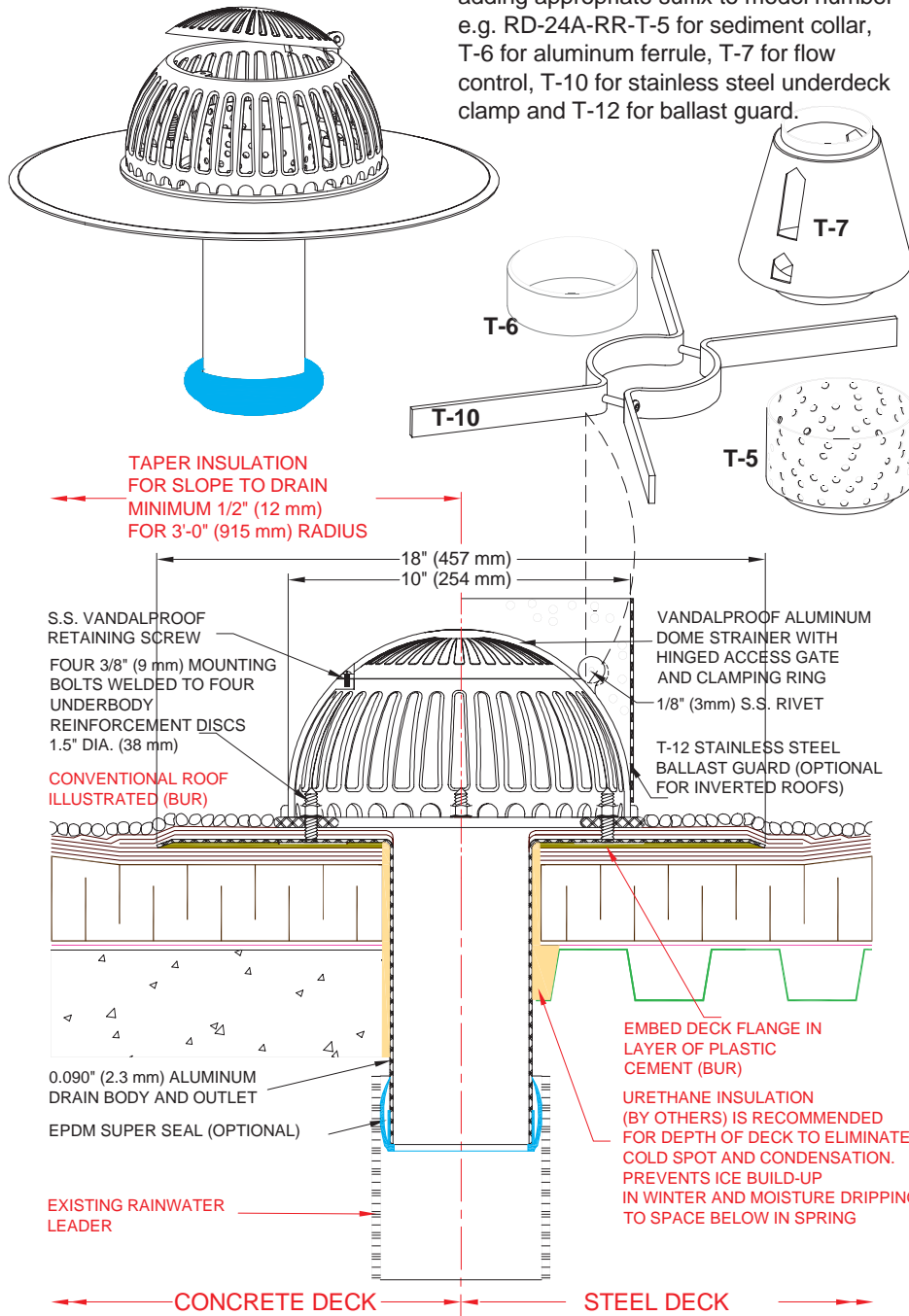


ROOF SPECIALTIES
RD-24A-RR VANDALPROOF
ALUMINUM RETROFIT
ROOF DRAIN (All Purpose,
Straight Outlet)

Note: Specify accessories required by adding appropriate suffix to model number e.g. RD-24A-RR-T-5 for sediment collar, T-6 for aluminum ferrule, T-7 for flow control, T-10 for stainless steel underdeck clamp and T-12 for ballast guard.



RD-24A-RR VANDALPROOF ALUMINUM RETROFIT ROOF DRAIN (All Purpose, Straight Outlet) Note: RD-24C-RR (Copper) and RD-24SS-RR (Stainless Steel) Roof Drain similar. See reverse side of page for material change.

INSTALLATION

"Installation Instructions" are provided with every Thaler product. Essentially, the RD-24A-RR roof drain is installed by fitting the drain outlet into the rainwater leader, by slowly rotating and pushing down into position, installing the dome strainer assembly, and as follows:

BUR: Set drain flange over membrane in layer of mastic cement and flash in with 3 overlapping layers of felt flashing.

ModBit: Torch membrane until bitumen is fluid and set drain flange into fluid. Flash in flange with two overlapping layers of ModBit and seal with asphalt sealer.

Single Ply: Set drain flange in layer of membrane adhesive before applying membrane over flange. Note: for PVC membrane, specify PVC coated drain flange by adding suffix P to end of model number, e.g. RD-24A-RR-P; weld roofing to drain flange using PVC torch.

Precautions: If coating drain flange with a bituminous paint on site, allow 24 hours for drying before applying roof membrane.

Ordering: Available throughout North America. Contact Thaler for list of distributors and current cost information. Most products are readily available from stock.

DESCRIPTION

The Thaler RD-24A-RR Roof Drain consists of a vandalproof cast aluminum dome with hinged access gate, mounting bolts welded to underbody reinforcement discs 1.5" (38 mm) dia., drain body and straight aluminum outlet with EPDM sealing ring (optional Thaler Super-Seal). The super seal provides a superior seal in the event drains or pipes become clogged.

Prominent Features:

Removable dome strainer eliminates improper strainer installation or lost strainers that can result in plugged drains. Vandalproof hinged access gate (allen-key openable) allows drain to be cleaned if necessary, or dismantled by permitting access to bolts inside drain.

Leader Diameters: Suitable for 1-3/4" to 7-3/4" (44 mm to 197 mm) leader sizes.

Options: T-5 aluminum sediment collar. T-7 aluminum flow control accessory (weir) for utilizing roof as temporary reservoir during excessive rainfall. T-10 stainless steel underdeck clamping ring. T-12 stainless steel ballast guard. See Thaler Roof Drain Options literature. PVC coated deck flange for PVC roof membrane. Bituminous painted deck flange for BUR and ModBit roof membrane.

RECOMMENDED USE

All purpose roof drain for flat roofs in new or existing construction employing conventional roof (membrane above insulation) or inverted roof membrane application with ballast guard. Suitable for PVC, cast iron, steel, copper, or other type leaders.

APPROVALS

Conforms to ANSI A112.21.2 Roof Drains standard.

WARRANTY

20 year warranty against defects in materials and/or manufacture when installed in accordance with Thaler "Installation Instructions". Copy of Warranty Certificate available upon request.

MAINTENANCE

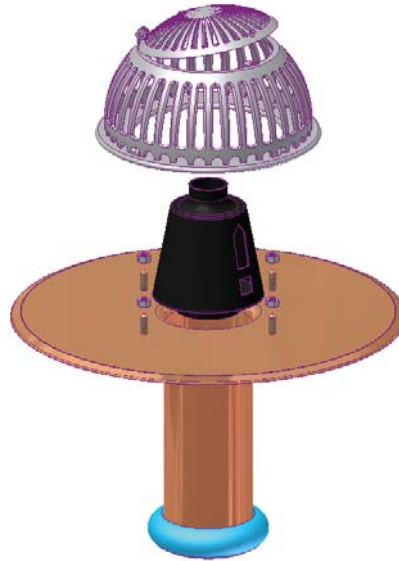
No maintenance required (maintenance free), however, as per CRCA/NRCA recommendations, drains should be inspected twice a year (spring and fall) and any debris removed from both around and inside the strainer.

SPECIFICATION (Short Form)

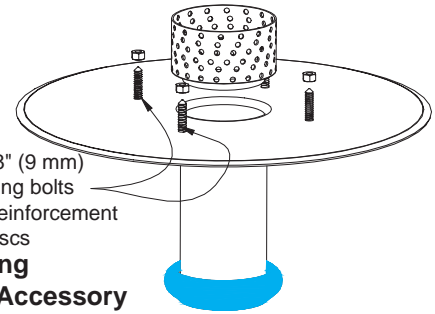
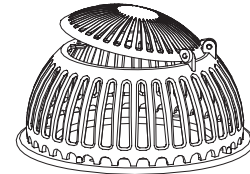
Roof drains: Thaler RD-24A-RR drain for [1-3/4" to 7-3/4" (44 mm to 197 mm)] leader sizes; with: vandalproof cast aluminum dome with hinged access gate and four 3/8" (9 mm) mounting bolts welded to underbody reinforcement discs, 0.090" (2.3 mm) aluminum drain body, deck flange and straight, aluminum outlet with EPDM Super Seal; [T-5 aluminum sediment collar] [T-7 aluminum flow control accessory;] [T-10 stainless steel underdeck clamp]; [T-12 stainless steel ballast guard]; [PVC coated deck flange] [bituminous painted deck flange]; manufactured by Thaler Metal Industries, 1-800-387-7217 (Mississauga, Ontario, Canada) or 1-800-576-1200 (New Braunfels, TX), installed as per manufacturer's written instructions. Provide standard 20 year warranty against defects in materials and/or manufacture.



RD-24SS-RR Stainless Steel Retrofit Roof Drain

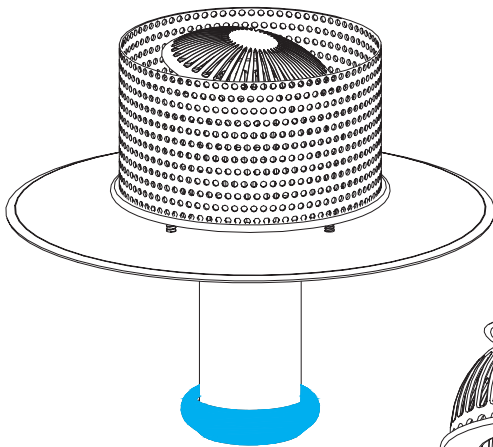


Exploded View of RD-24C-RR Copper Retrofit Roof Drain Showing T-7 Aluminum Flow Control Accessory

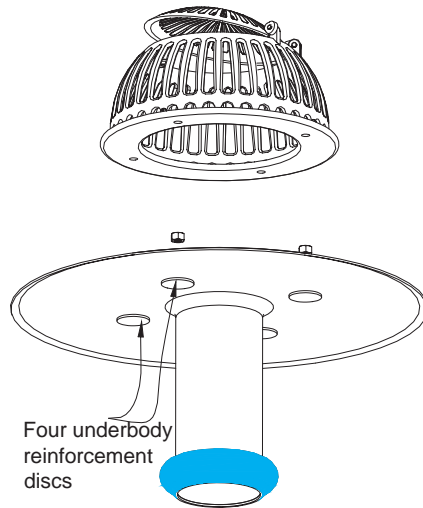


Four 3/8" (9 mm) mounting bolts welded to reinforcement discs

Exploded View Showing Optional T-5 Sediment Collar Accessory

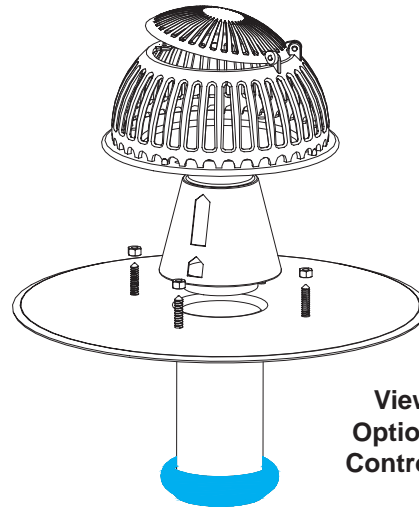


View Showing Ballast Guard Friction Fitted to Dome Strainer



Underside of Deck Flange showing Underbody Reinforcement Discs

Four underbody reinforcement discs



View Showing Optional T-7 Flow Control Accessory

Material Specification for RD-24C-RR (Copper) and RD-24SS-RR (Stainless Steel) Roof Drains (RD-24A-RR Aluminum Roof Drain Illustrated on page M-16)

Note: In Short Form Specification on front side of sheet, edit clause to reflect choice of copper (RD-24C-RR) or stainless steel (RD-24SS-RR) roof drain in lieu of aluminum if desired.

Drain Type	Dome Strainer	Drain Body and Base	Bolts and Nuts	T-5 Sediment Collar	T-6 Ferrule	T-7 Flow Control	T-10 Underdeck Clamp	T-12 Ballast Guard
RD-24A-RR	Cast Aluminum	Aluminum 0.090" (2.3 mm)	Aluminum	Aluminum	Aluminum	Aluminum	Stainless Steel	Stainless Steel
RD-24C-RR	Cast Aluminum	Copper base: 24 oz. 0.032" (0.813 mm) pipe: DWV 0.058" (1.47mm)	Stainless Steel	Copper	Brass	Copper or Painted Aluminum	Stainless Steel	Stainless Steel
RD-24SS-RR	Cast Aluminum	Stainless Steel base: 22Ga. (0.8mm) pipe: Type 304 L 0.12"(3mm)	Stainless Steel	Stainless Steel	Stainless Steel	Painted Aluminum or Stainless Steel	Stainless Steel	Stainless Steel