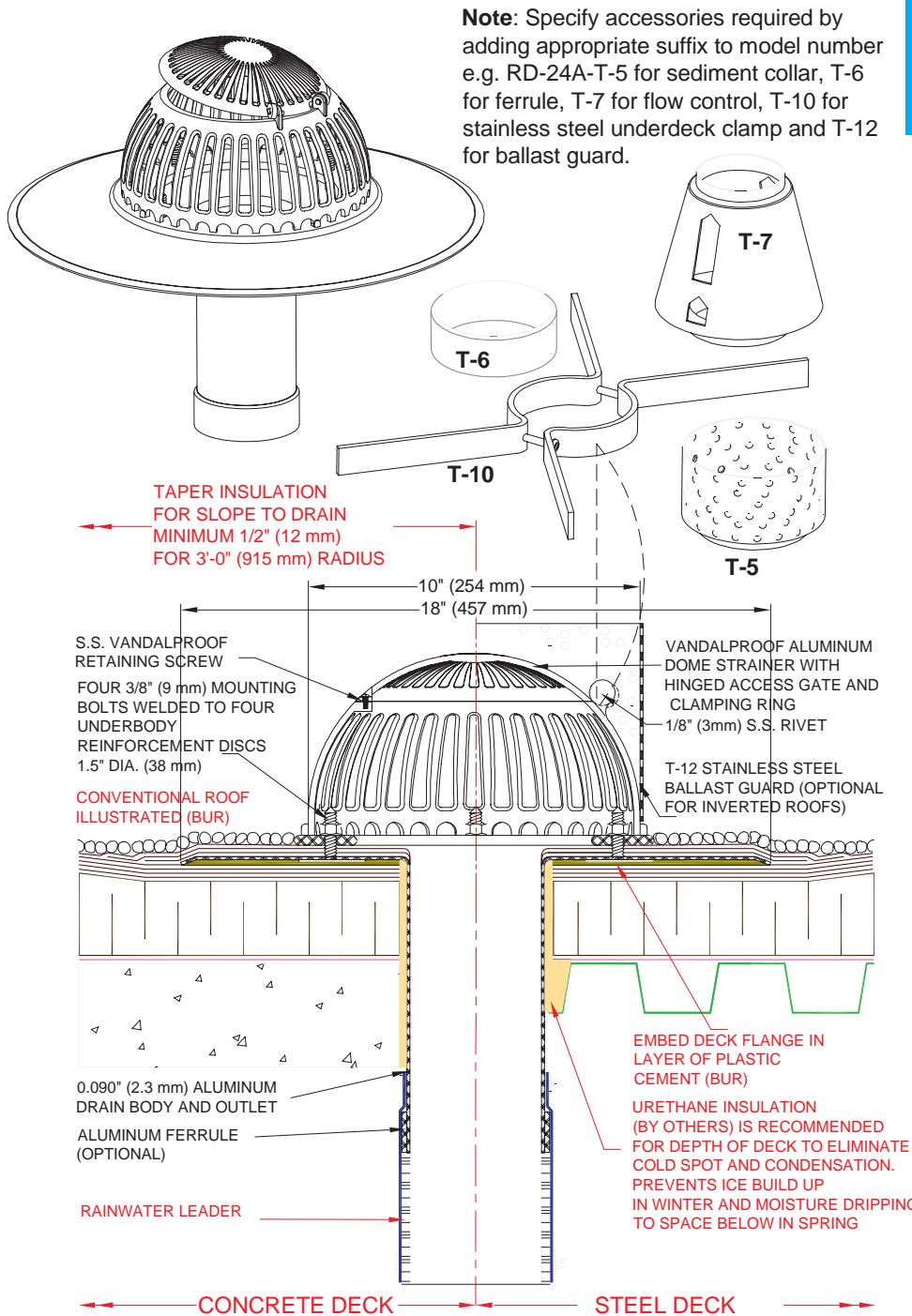


ROOF SPECIALTIES RD-24A VANDALPROOF ALUMINUM ROOF DRAIN (All Purpose, Straight Outlet)



Note: Specify accessories required by adding appropriate suffix to model number e.g. RD-24A-T-5 for sediment collar, T-6 for ferrule, T-7 for flow control, T-10 for stainless steel underdeck clamp and T-12 for ballast guard.

TAPER INSULATION
FOR SLOPE TO DRAIN
MINIMUM 1/2" (12 mm)
FOR 3'-0" (915 mm) RADIUS

S.S. VANDALPROOF
RETAINING SCREW
FOUR 3/8" (9 mm) MOUNTING
BOLTS WELDED TO FOUR
UNDERBODY
REINFORCEMENT DISCS
1.5" DIA. (38 mm)

CONVENTIONAL ROOF
ILLUSTRATED (BUR)

0.090" (2.3 mm) ALUMINUM
DRAIN BODY AND OUTLET
ALUMINUM FERRULE
(OPTIONAL)

RAINWATER LEADER

VANDALPROOF ALUMINUM
DOME STRAINER WITH
HINGED ACCESS GATE AND
CLAMPING RING
1/8" (3mm) S.S. RIVET

T-12 STAINLESS STEEL
BALLAST GUARD (OPTIONAL
FOR INVERTED ROOFS)

EMBED DECK FLANGE IN
LAYER OF PLASTIC
CEMENT (BUR)
URETHANE INSULATION
(BY OTHERS) IS RECOMMENDED
FOR DEPTH OF DECK TO ELIMINATE
COLD SPOT AND CONDENSATION.
PREVENTS ICE BUILD UP
IN WINTER AND MOISTURE DRIPPING
TO SPACE BELOW IN SPRING

CONCRETE DECK STEEL DECK

RD-24A VANDALPROOF ALUMINUM ROOF DRAIN (All Purpose, Straight Outlet) Note: RD-24C (Copper) and RD-24SS (Stainless Steel) Roof Drain similar. See reverse side of page for material changes.

INSTALLATION

"Installation Instructions" are provided with every Thaler product. Essentially, the RD-24A roof drain is installed by fitting and connecting the drain outlet into the rainwater leader, installing the dome strainer assembly, and as follows:

BUR: Set drain flange over membrane in layer of mastic cement and flash in with 3 overlapping layers of felt flashing.

ModBit: Torch membrane until bitumen is fluid and set drain flange into fluid. Flash in flange with two overlapping layers of ModBit and seal with asphalt sealer.

Single Ply: Set drain flange in layer of membrane adhesive before applying membrane over flange. Note: for PVC membrane, specify PVC coated drain flange by adding suffix P to end of model number, e.g. RD-24A-P; weld roofing to drain flange using PVC torch.

Precautions: If coating drain flange with a bituminous paint on site, allow 24 hours for drying before applying roof membrane.

Ordering: Available throughout North America. Contact Thaler for list of distributors and current cost information. Most products are readily available from stock.

DESCRIPTION

The Thaler RD-24A Roof Drain consists of a vandalproof cast aluminum dome with hinged access gate, mounting bolts welded to reinforcement discs 1.5" (38 mm) dia. drain body and straight aluminum outlet with aluminum ferrule and drain deck flange.

Prominent Features:

Removable dome strainer eliminates improper strainer installation or lost strainers that can result in plugged drains. Vandalproof hinged access gate (allen-key openable) allows drain to be cleaned if necessary, or dismantled by permitting access to bolts inside drain.

Leader Diameters: Suitable for 2", 3", 4", 5" and 6" (51 mm, 76 mm, 102 mm, 127 mm and 152 mm) leader sizes.

Options: T-5 aluminum sediment collar. Without T-6 aluminum ferrule. T-7 aluminum Flow Control accessory (weir) for utilizing roof as temporary reservoir during excessive rainfall. T-10 stainless steel underdeck clamp. T-12 stainless steel ballast guard. See Thaler Roof Drain Options literature. PVC coated deck flange for PVC roof membrane. Bituminous painted deck flange for BUR and ModBit roof membrane.

RECOMMENDED USE

All purpose roof drain for flat roofs in new construction employing conventional roof (membrane above insulation) or inverted roof membrane application (with ballast guard). Suitable for PVC, cast iron, steel, copper, or other type leaders.

APPROVALS

Conforms to ANSI A112.21.2 Roof Drains standard.

WARRANTY

20 year warranty against defects in materials and/or manufacture when installed in accordance with Thaler "Installation Instructions". Copy of Warranty Certificate available upon request.

MAINTENANCE

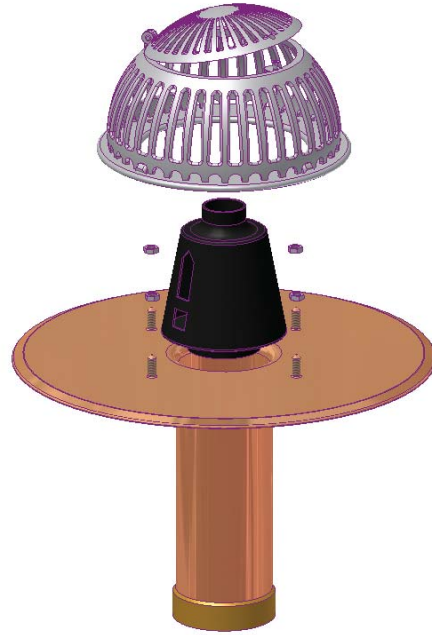
No maintenance required (maintenance free), however, as per CRCA/NRCA recommendations, drains should be inspected twice a year (spring and fall) and any debris removed from both around and inside the strainer.

SPECIFICATION (Short Form)

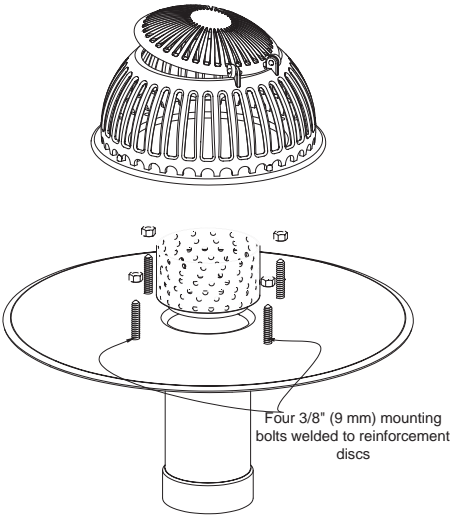
Roof drains: Thaler RD-24A drain for conventional roofs, for [2" (51 mm) 3" (76 mm)] [4" (102 mm)] [5" (127 mm)] [6" (152 mm)] leader size; with: vandalproof cast aluminum dome with hinged access gate and clamping ring; .090" (2.3 mm) aluminum drain body, deck flange and straight aluminum outlet [with] [without] T-6 aluminum ferrule; 3/8" (9 mm) aluminum bolts welded to reinforcement discs; [T-5 aluminum sediment collar]; [T-6 aluminum ferrule]; [T-7 flow control accessory]; [T-10 stainless steel underdeck clamp]; [T-12 stainless steel ballast guard]; [PVC coated deck flange]; [bituminous painted deck flange]; manufactured by Thaler Metal Industries, 1-800-387-721 (Mississauga, Ontario, Canada) or 1-800-576-1200 (New Braunfels, TX), installed as per manufacturer's written instructions. Provide standard 20 year warranty against defects in materials and/or manufacture.



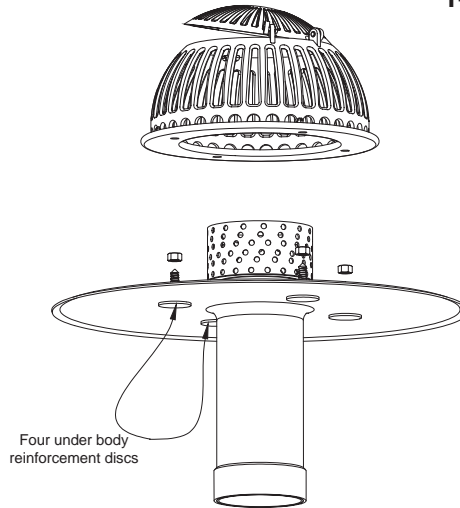
RD-24 C Copper Roof Drain



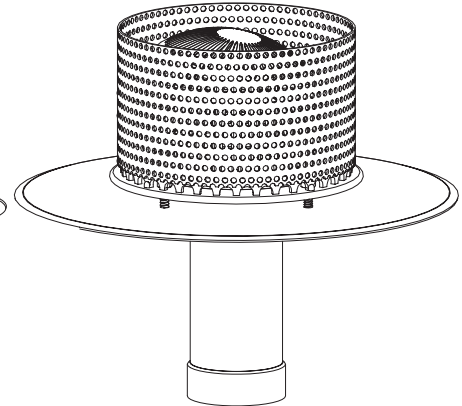
Exploded View Showing Optional T-7 Flow Control Accessory



Exploded View Showing Optional T-5 Sediment Collar Accessory (Friction Fitted to Drain Body)



Exploded View Showing Optional T-5 Sediment Collar Accessory (Friction Fitted to Drain Body)



View Showing Optional T-12 Ballast Guard Accessory (Friction Fitted to Dome Strainer)

Material Specification for RD-24C (Copper) and RD-24SS (Stainless Steel) Roof Drains (RD-24A Aluminum Roof Drain Illustrated on page M-15)

Note: In Short Form Specification on front side of sheet, edit clause to reflect choice of copper (RD-24C) or stainless steel (RD-24SS) roof drain in lieu of aluminum if desired.

Drain Type	Dome Strainer	Drain Body and Base	Bolts and Nuts	T-5 Sediment Collar	T-6 Ferrule	T-7 Flow Control	T-10 Underdeck Clamp	T-12 Ballast Guard
RD-24A	Cast Aluminum	Aluminum 0.090" (2.3 mm)	Aluminum	Aluminum	Aluminum	Aluminum	Stainless Steel	Stainless Steel
RD-24C	Cast Aluminum	Copper base: 24 oz. 0.032" (0.813 mm) pipe: DWV 0.058" (1.47mm)	Stainless Steel	Copper	Brass	Copper or Painted Aluminum	Stainless Steel	Stainless Steel
RD-24SS	Cast Aluminum	Stainless Steel base: 22Ga. (0.8mm) pipe: 304 L 0.12"(3mm)	Stainless Steel	Aluminum	Stainless Steel	Painted Aluminum or Stainless Steel	Stainless Steel	Stainless Steel