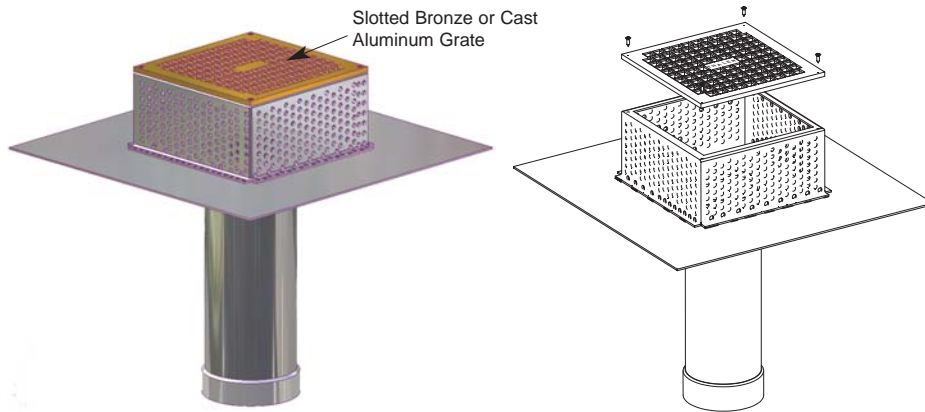
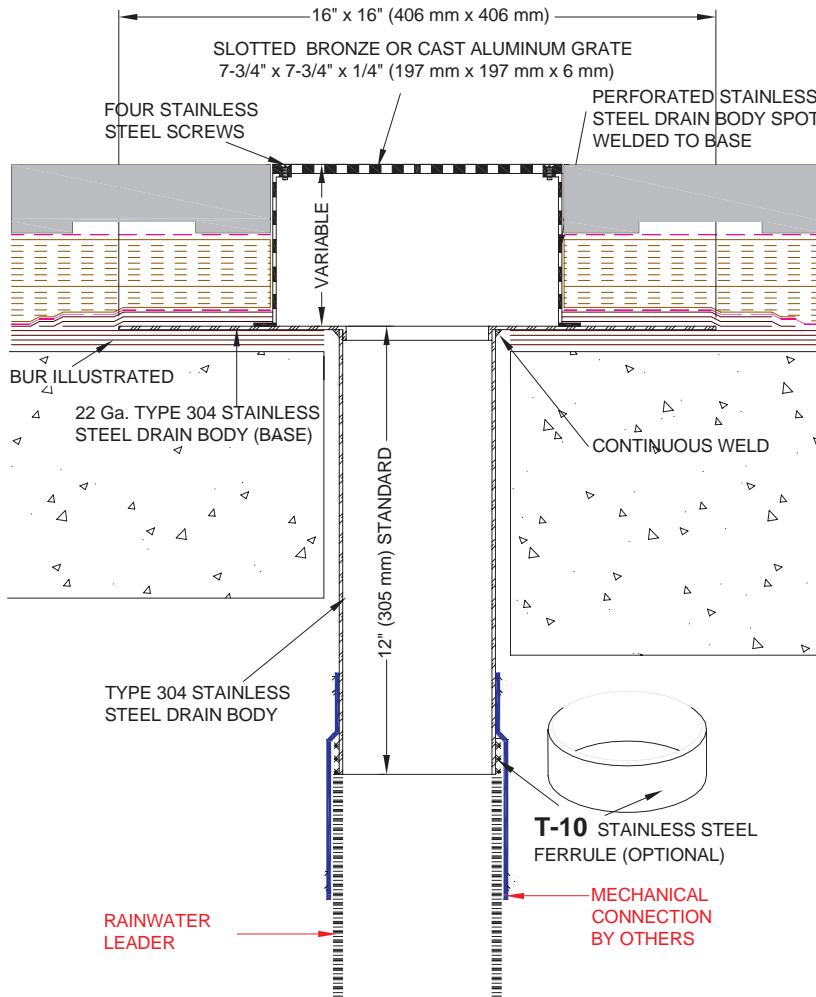


ROOF SPECIALTIES RD-19-SS STAINLESS STEEL ROOF DRAIN (For Promenade Decks or Terraces)



RD-19-SS (Exploded View Showing
Drain Body Spot Welded to Base)



RD-19-SS STAINLESS STEEL ROOF DRAIN (For Promenade Decks or Terraces)

INSTALLATION

"Installation Instructions" are provided with every Thaler product. Essentially, the RD-19-SS roof drain is installed by fitting the drain outlet into the rainwater leader, and as follows:

BUR: Set drain flange over membrane in layer of mastic cement and flash in with 3 overlapping layers of felt flashing.

ModBit: Torch membrane until bitumen is fluid and set drain flange into fluid. Flash in flange with two overlapping layers of ModBit and seal with asphalt sealer.

Single Ply: Set drain flange in layer of membrane adhesive before applying membrane over flange. Note: for PVC membrane, specify PVC coated drain flange by adding suffix P to end of model number, e.g. RD-19-SS-P; weld roofing to drain flange using PVC torch.

Precautions: If coating drain flange with a bituminous paint on site, allow 24 hours for drying before applying roof membrane.

Ordering: Available throughout North America. Contact Thaler for list of distributors and current cost information. Most products are readily available from stock.

DESCRIPTION

The Thaler RD-19-SS Roof Drain consists of a removable, slotted bronze or cast aluminum grate, perforated stainless steel drain body and straight seamless stainless steel outlet fitted with an optional stainless steel ferrule.

Prominent Features: Easy installation for retrofit applications see page M-14.

Leader Diameters: With *Stainless Steel Ferrule*: 2" to 6" (51 mm to 152 mm). See detail at left for specific sizes.

Options: Suitable for PVC, cast iron, steel, copper, or other type leaders in both Schedule 40 or 80 leader thickness. Bolted drain body (see RD-19-SS-BDB on reverse side of page).

RECOMMENDED USE

For traffic bearing or landscaped roofs employing an inverted (protected) membrane e.g. promenade, podium or plaza deck roofs or roof gardens.

APPROVALS

Conforms to ANSI A112.21.2 Roof Drains standard.

WARRANTY

20 year warranty against defects in materials and/or manufacture when installed in accordance with Thaler "Installation Instructions". Copy of Warranty Certificate available upon request.

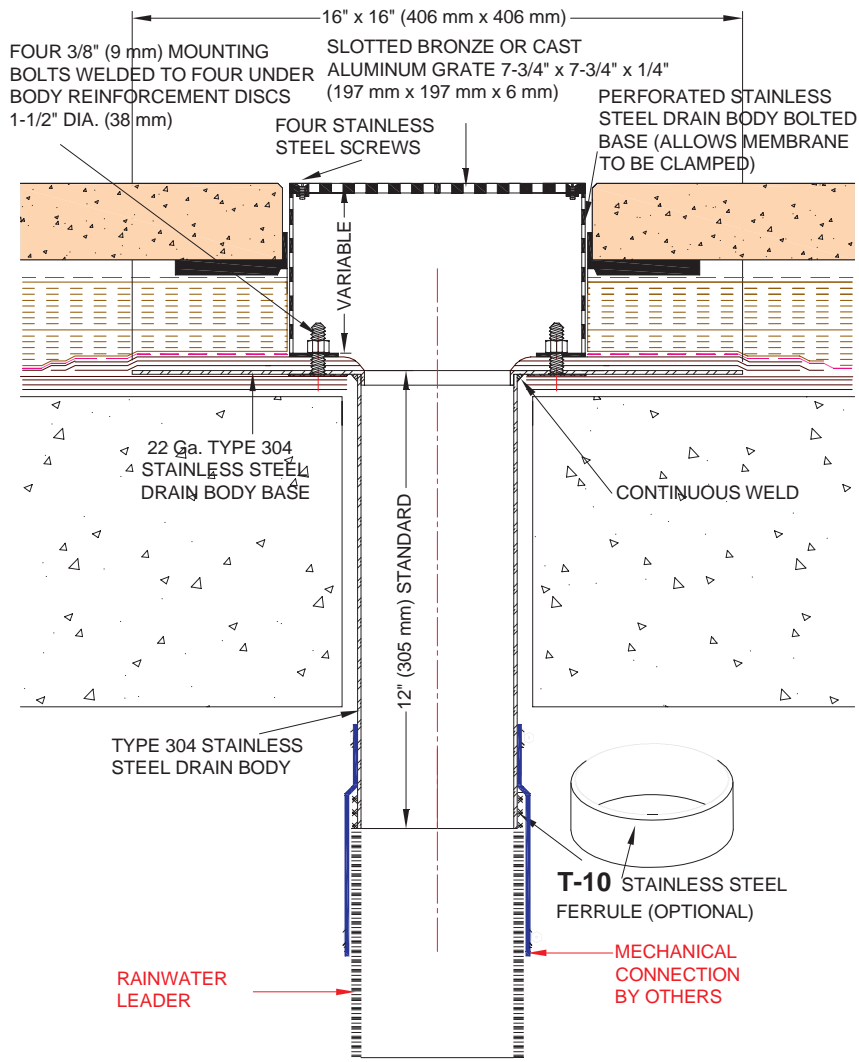
MAINTENANCE

No maintenance required (maintenance free), however, as per CRCA/NRCA recommendations, drains should be inspected twice a year (spring and fall) and any debris removed from both around and inside the strainer.

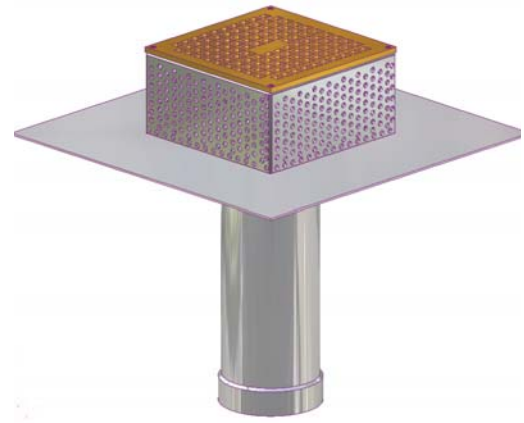
SPECIFICATION (Short Form)

Roof drains: Thaler RD-19-SS drain for inverted roofs, for [4" (102 mm) to 6" (152 mm)] leader size; with: 7-3/4" (197 mm) removable, square, linear slotted [bronze] [cast aluminum] grate; 22 ga. (0.8 mm) Type 304 stainless steel drain body (base), 7-3/4" (197 mm) square x [specified height] with 1/4" (6 mm) or larger perforations in drain body; deck flange; Type 304 stainless steel straight outlet with [T-6 stainless steel ferrule]; [PVC coated deck flange] [bituminous painted deck flange]; manufactured by Thaler Metal Industries, 1-800-387-7217 (Mississauga, Ontario, Canada) or 1-800-576-1200 (New Braunfels, TX), installed as per manufacturer's written instructions. Provide standard 20 year warranty against defects in materials and/or manufacture.

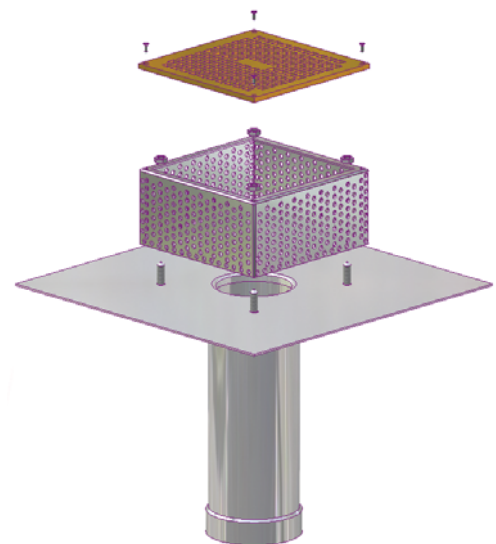
Continued at left and reverse



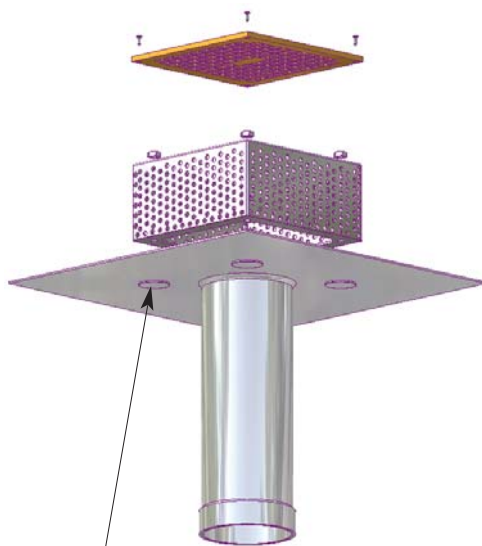
RD-19-SS-BDB (Bolted Drain Body) ROOF DRAIN (OPTIONAL)



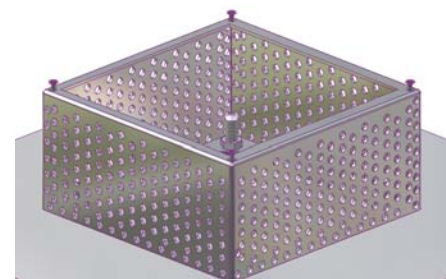
RD-19-SS-BDB



Exploded View Showing Mounting Bolts Welded to Reinforcement Discs



Exploded View Showing Under-Body Reinforcement Discs



View Showing Drain Body Bolted to Base For Clamping Membrane