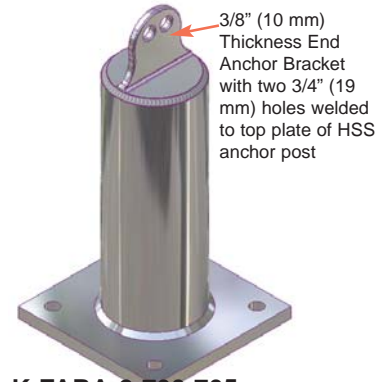
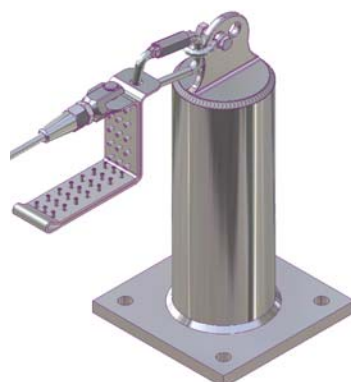


**EASY SLIDER™
HORIZONTAL LIFELINES FALL
PROTECTION SYSTEM
COMPONENTS**

**K-700 EASY SLIDER HORIZONTAL LIFELINE
FALL PROTECTION SYSTEM (Roof Application)**



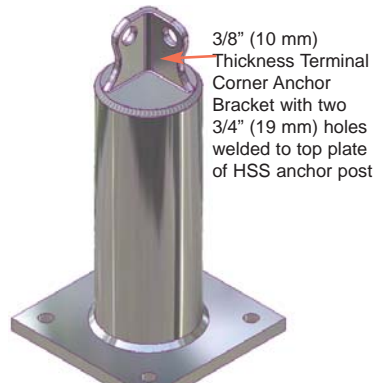
**K-FARA-2-700-705
End Anchor**



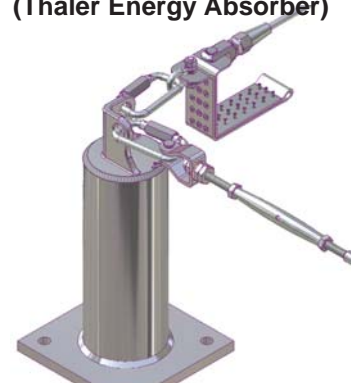
**K-FARA-2-700-705 With TEA
(Thaler Energy Absorber)**



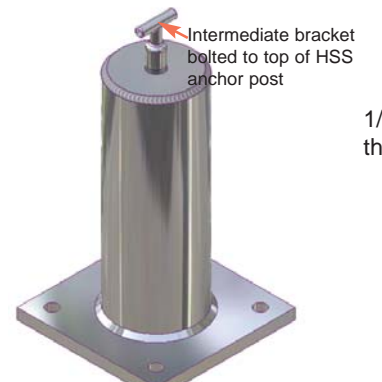
**K-FARA-2-700-705 With
Tensioner**



**K-FARA-2-700-706 Start And
End Corner Anchor**



**K-715 Mobile Shuttle Runner
With Carabiner**



**K-FARA-2-700-707 Intermediate
Anchor**



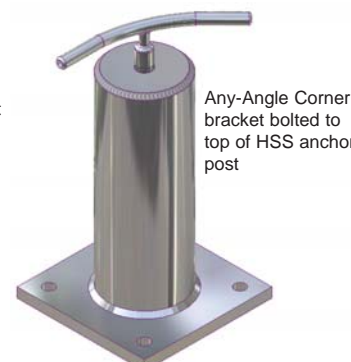
**Intermediate Anchor
Bracket**



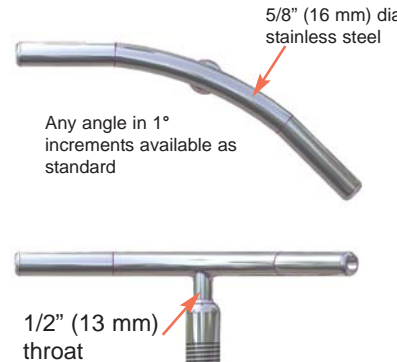
90° Corner Anchor Bracket



**K-FARA-2-700-708
Intermediate 90° Corner
Anchor**

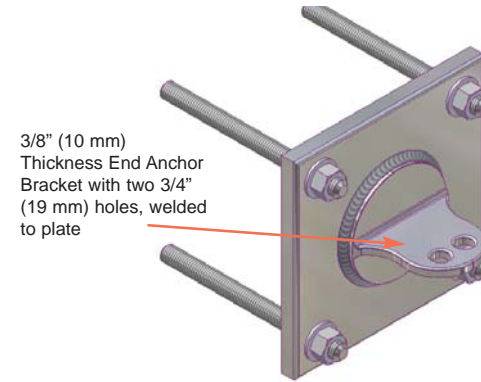


**K-FARA-2-700-709 Any-
Angle Corner Anchor**

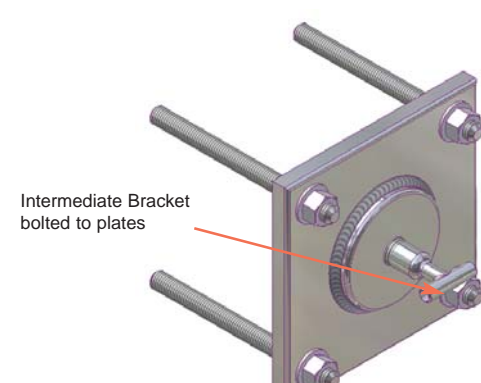


**Any-Angle Corner Anchor
Bracket**

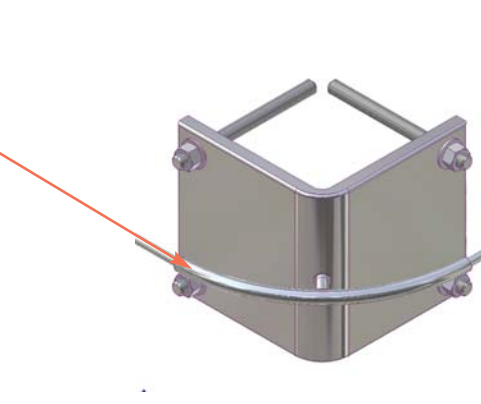
**K-701 EASY SLIDER HORIZONTAL LIFELINE
FALL PROTECTION SYSTEM (Wall Application)**



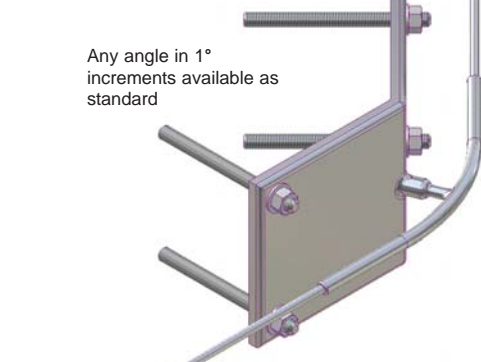
K-FARA-93-701-710 End Anchor



K-FARA-93-701-711 Intermediate Anchor

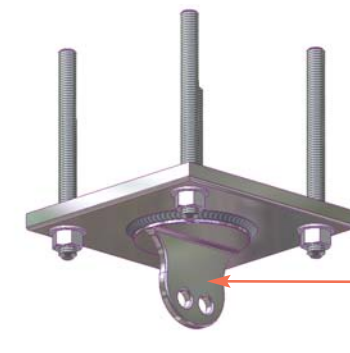


K-FARA-93-701-712 90° Corner Anchor

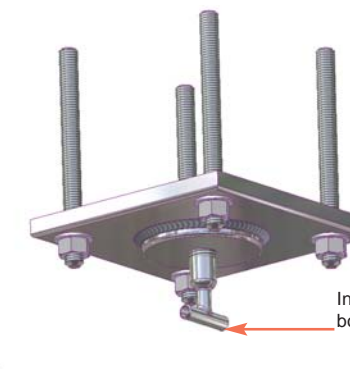


K-FARA-93-701-713 Any Angle Corner Anchor

**K-702 EASY SLIDER HORIZONTAL LIFELINE
FALL PROTECTION SYSTEM (Overhead
Application)**



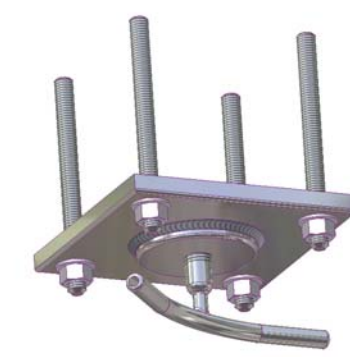
K-FARA-93-702-710 End Anchor



K-FARA-93-702-711 Intermediate Anchor



K-FARA-93-702-713 90° Corner Anchor



**K-FARA-93-702-714 Any-Angle Corner
Anchor**

**K-703 EASY SLIDER HORIZONTAL
LIFELINE FALL PROTECTION
SYSTEM (Single Span Application)**



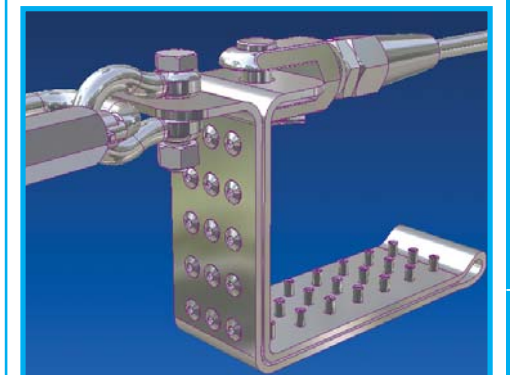
K-FARA-12U-703 End Anchor



**K-FARA-12U-703 End Anchor With TEA
(Thaler Energy Absorber)**



**K-FARA-12U-703 End Anchor With
Tensioner**



K-716 Thaler Energy Absorber (TEA)