

ROOF SPECIALTIES FARA-6/-16/-16U "FIXED EYE" FALL ARREST ROOF ANCHORS (Bolt Around OWSJ)

DESCRIPTION

Thaler FARA bolt around OWSJ anchors consist of a urethane insulated hollow steel post (HSS) with base plate, four stainless steel bolts and under-joist plate, and cross tube (supplied by others) for securing to an OWSJ, and flashing sleeve. The top of the anchor is available with three different eye options:

1. With very high strength, *galvanized forged eye* (FARA-6). All stainless steel (FARA-16SS).
2. With very high strength, *stainless steel forged eye* (FARA-16). All stainless steel (FARA-16SS).
3. With high strength, *stainless steel U Bolt* (FARA-16U). All stainless steel (FARA-16USS).

Prominent Features: Condensation free and maintenance free (attractive, neat flashing never needs caulking; see Thaler EPDM Flashing Seals literature). Anchor integrity is backed by \$7,000,000.00 liability insurance.

Options: All stainless steel, PVC coated flashing deck flange for PVC roof membrane. Bituminous painted flashing deck flange for BUR and ModBit roof membrane. See other Thaler FARA models for different securements.

RECOMMENDED USE

Suitable for all flat roofs as fall arrest anchors for securing workers' lifelines or the tying back of suspended access equipment such as outrigger beams and parapet wall clamps. Also suitable for suspension of boatswain chair.

APPLICABLE STANDARDS

Thaler FARA anchors conform to all Canadian and U.S. standards, provincial and state labour/safety codes and materials standards relating to anchor fabrication, window cleaning and other suspended maintenance operations. Conformance includes CSA, OML, ASME, ANSI, IWCA, OSHA, CAL, OSHA, AISC, AWS, and other references. Thaler SJ-37 New-Standard STACK JACK Flashing conforms to CSA B272-93. See Thaler FARA Systems Fall Protection literature for specific data.

WARRANTY

20 year warranty (lifetime on all stainless steel) against **leaks, condensation and defects** in materials and/or manufacture when installed in accordance with Thaler "Installation Instructions". Copy of Warranty Certificate available upon request.

MAINTENANCE

Regulatory authorities require anchors to be inspected annually with inspection data (date, inspector's name and comments) recorded in the Fall Protection Maintenance Log Book for Window Cleaning and/or Other Suspended Access Maintenance Operations (including travel restraint). Apart from this requirement, Thaler anchors require no maintenance (maintenance free).

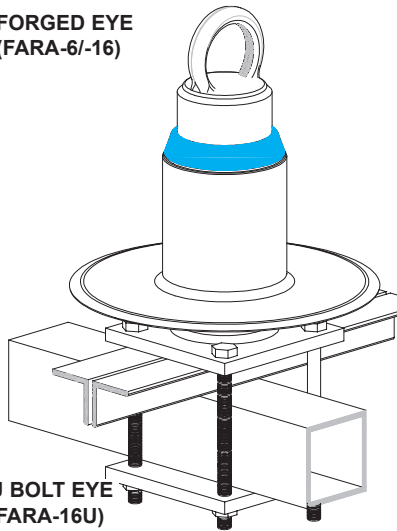
PLANNING SERVICE

Thaler will provide layout drawings for fall arrest anchors in compliance with all applicable standards, safety regulations and local building codes. A nominal, low-cost fee is charged for this service (refunded if Thaler secures the contract to supply the anchors).

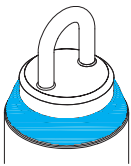
SPECIFICATION (Short Form)

Fall arrest roof anchors: Thaler [FARA-6 with galvanized forged 1018 steel eye] [FARA-16 with Type 304 stainless steel forged eye] [FARA-16U with Type 304 stainless steel U bolt] roof anchor to [CSA Z91-02] [OSHA 1910.66, Sub parts D and F] with: urethane insulated hollow hot dipped galvanized ASTM 500C steel post (HSS) 1/4" (6 mm) wall thickness x 4-1/2" (114 mm) dia. x 12" (305 mm) high welded to 5/8" x 8" x 8" (16 mm x 203 mm x 203 mm) 44W base plate; 5/8" x 8" x 8" (16 mm x 203 mm x 203 mm) under-joist plate, and 1/4" x 4" x 4" (6 mm x 102 mm x 102 mm) HSS cross tube (supplied by others); assembly; four 5/8" (16 mm) Type 304 s.s. bolts with lock washers and nuts; SJ-37, 7" (178 mm) high New-Standard STACK JACK flashing of [1.064" (1.6 mm) mill finish 1100-0T alloy aluminum] [.032" (0.831 mm) 24 oz. copper] [.031" (0.79 mm) 22 ga. type 304 stainless steel] to CSA B272-93, with EPDM Triple Pressure Grommet Seal and EPDM Base Seal and [bituminous painted deck flange] [PVC coated deck flange]; manufactured by Thaler Metal Industries, 1-800-387-7217 (Mississauga, Ontario, Canada) or 1-800-576-1200 (New Braunfels, TX), installed as per manufacturer's written instructions. Provide 20 year warranty against defects in materials and/or manufacture.

FORGED EYE (FARA-6/-16)



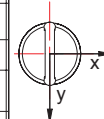
U BOLT EYE (FARA-16U)



All stainless steel anchor also available (FARA-16USS) e.g. eye, HSS, base plates, fastening and flashing.

Anchor Type	Eye Construction	Load Direction	Deflection After Load of 5400 lbs (24.03 kN) was Released
FARA-6	Forged Eye, Galvanized	Perpendicular to the eye (x)	0.016" (0.406 mm)
		Parallel to the eye (y)	0.008" (0.203 mm)
FARA-16	Forged Eye, Stainless Steel	Perpendicular to the eye (x)	0.046" (1.168 mm)
		Parallel to the eye (y)	0.013" (0.330 mm)
FARA-16U	U Bolt, Stainless Steel	Perpendicular to the eye (x)	0.203" (5.156 mm)
		Parallel to the eye (y)	0.019" (0.482 mm)

ALL TESTING REPORTS AVAILABLE UPON REQUEST



Typical tie-off direction

Note: Anchors are designed to resist without fracture and/or pull-out a force of 5400 lbs (24.03 kN), applied in the most adverse direction (x).

FORGED COMBINATION EYE AND BASE, WELDED TO HSS PIPE AND HOT DIP GALVANIZED

1/4" x 4-1/2" DIA. (6 mm x 114 mm) HSS WELDED TO 5/8" x 8" x 8" (16 mm x 203 mm x 203 mm) BASE PLATE USING 5/16" (8 mm) FILLED WELD, ALL HOT DIP GALVANIZED AND URETHANE INSULATED TO PREVENT CORROSION

THALER SJ-37 NEW STANDARD STACK JACK FLASHING (ALUMINUM, COPPER OR STAINLESS STEEL)

INVERTED ROOFING ILLUSTRATED (BUR)

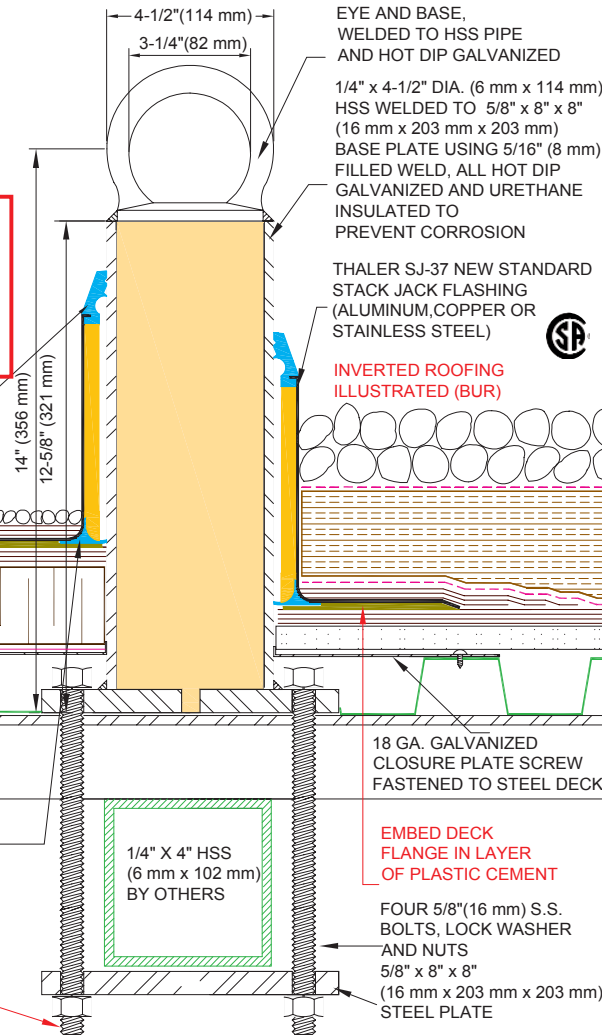
EPDM TRIPLE PRESSURE GROMMET SEAL

CONVENTIONAL ROOFING ILLUSTRATED (BUR)

TOP CHORD OF OWSJ

EPDM BASE SEAL BONDED TO METAL SLEEVE (SEE THALER EPDM FLASHING SEALS LITERATURE)

DEFORM THREADS AS PER CSA OR OSHA



18 GA. GALVANIZED CLOSURE PLATE SCREW FASTENED TO STEEL DECK

EMBED DECK FLANGE IN LAYER OF PLASTIC CEMENT

FOUR 5/8" (16 mm) S.S. BOLTS, LOCK WASHER AND NUTS 5/8" x 8" x 8" (16 mm x 203 mm x 203 mm) STEEL PLATE

FARA-6/-16/-16U FALL ARREST ROOF ANCHORS (Bolt Around OWSJ)

PATENTED

NOTE: REFER TO PAGES I-34, I-35, I-36 FOR NON-STANDARD HEIGHT ANCHORS

INSTALLATION

"Installation Instructions" are provided with every Thaler product. Essentially, Thaler FARA-6/-16/-16U anchors are installed by bolting the anchor to the top chord of the OWSJ as per layout drawings, using a recommended tightening torque of 75 ft-lbf (100Nm), reinforcing the base plates with a cross tube, then placing the flashing sleeve over the anchor and roof membrane, and as follows:

BUR: Set flashing deck flange in layer of plastic cement and flash in with 3 overlapping layers of felt flashing.

ModBit: Torch membrane until bitumen is fluid and set flashing flange into fluid. Flash in flange with two overlapping layers of ModBit and seal with asphalt sealer. Do not overheat (melt) EPDM base seal.

Single Ply: Set deck flange in layer of membrane adhesive and extend single ply up sleeve to highest elevation possible and clamp membrane to STACK JACK Flashing. Note: for PVC membrane, specify PVC coated STACK JACK by adding suffix P to end of model number e.g. FARA-6-A-P; weld roofing to deck flange using PVC torch.

Precautions: Apply an asphaltic or other type protective coating to aluminum STACK JACK Flashing to a height of 2" (51 mm) above a limestone ballast to avoid corrosive reaction. Also, if coating deck flange with bituminous paint on site, allow 24 hours for drying before applying roof membrane.

Ordering: Specify flashing material required by adding appropriate suffix to model number e.g. FARA-6-A, for aluminum, etc. Available throughout North America. Contact Thaler for list of distributors and current cost information. Most products are readily available from stock. Note: The FARA-16 stainless steel forged eye has a galvanized finish over top of the stainless steel. The process of galvanizing the lower part of the anchor requires the entire anchor to be dipped in the zinc bath, thereby covering the stainless steel eye. If there is any question about product received on site, the eye material may be checked with a magnet. Type 304 stainless steel is non-magnetic.