

ROOF SPECIALTIES FARA-3/-13/-13U "FIXED EYE" FALL ARREST ROOF ANCHORS (Bolt Around Beam)

DESCRIPTION

Thaler FARA bolt around beam anchors consist of a urethane insulated hollow steel post (HSS) with base plate, four stainless steel bolts and under-beam plate for securing to a steel beam, and flashing sleeve. The top of the anchor is available with three different eye options:

1. With very high strength, *galvanized forged eye* (FARA-3). All stainless steel (FARA-13SS).
2. With very high strength, *stainless steel forged eye* (FARA-13). All stainless steel (FARA-13SS).
3. With high strength, *stainless steel U Bolt* (FARA-13U). All stainless steel (FARA-13USS).

Prominent Features: Condensation free and maintenance free (attractive, neat flashing never needs caulking; see Thaler EPDM Flashing Seals literature). Anchor integrity is backed by \$7,000,000.00 liability insurance.

Options: All stainless steel, PVC coated flashing deck flange for PVC roof membrane. Bituminous painted flashing deck flange for BUR and ModBit roof membrane. See other Thaler FARA models for different securements.

RECOMMENDED USE
Suitable for all flat roofs as fall arrest anchors for securing workers' lifelines or the tying back of suspended access equipment such as outrigger beams and parapet wall clamps. Also suitable for suspension of boatswain chair.

APPLICABLE STANDARDS
Thaler FARA anchors conform to all Canadian and U.S. standards, provincial and state labour/safety codes and materials standards relating to anchor fabrication, window cleaning and other suspended maintenance operations. Conformance includes CSA, OML, ASME, ANSI, IWCA, OSHA, CAL, OSHA, AISC, AWS, and other references. Thaler SJ-37(9), New-Standard STACKJACK Flashing conforms to CSA B272-93. See separate Thaler FARA Systems Fall Protection literature for specific data.

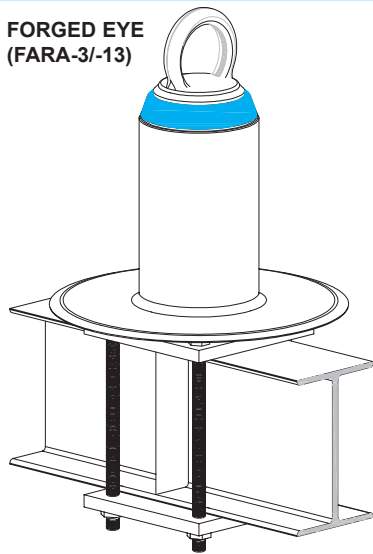
WARRANTY
20 year warranty (lifetime on all stainless steel) against **leaks, condensation and defects** in materials and/or manufacture when installed in accordance with Thaler "Installation Instructions". Copy of Warranty Certificate available upon request.

MAINTENANCE
Regulatory authorities require anchors to be inspected annually with inspection data (date, inspector's name and comments) recorded in the Fall Protection Maintenance Log Book for Window Cleaning and/or Other Suspended Access Maintenance Operations (including travel restraint). Apart from this requirement, Thaler anchors require no maintenance (maintenance free).

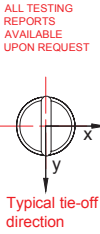
PLANNING SERVICE
Thaler will provide layout drawings for fall arrest anchors in compliance with all applicable standards, safety regulations and local building codes. A nominal, low-cost fee is charged for this service (refunded if Thaler secures the contract to supply the anchors).

SPECIFICATION (Short Form)
Fall arrest roof anchors: Thaler [FARA-3 with galvanized forged 1018 steel eye] [FARA-13 with Type 304 stainless steel forged eye] [FARA-13U with Type 304 stainless steel U bolt] roof anchor to [CSA Z91-02] [OSHA 1910.66, Sub parts D and F] with: urethane insulated, hollow, hot dipped galvanized ASTM 500C steel post (HSS) 1/4" (6 mm) wall thickness x 4-1/2" (114 mm) dia. x 12" (305 mm) high welded to 5/8" x 8" x 8" (16 mm x 203 mm x 203 mm) 44W base plate; Four 5/8" (16 mm) Type 304 s.s. bolts and 5/8" x 8" x 8" (16 mm x 203 mm x 203 mm) under-beam plate, lock washers and nuts; SJ-37(9), 9" (229 mm) high New-Standard STACKJACK flashing of [.064" (1.6 mm) mill finish 1100-0T alloy aluminum] [.032" (0.831 mm) 24 oz. copper] [.031" (0.79 mm) 22 ga. type 304 stainless steel] to CSA B272-93, with EPDM Triple Pressure Grommet Seal and EPDM Base Seal and [bituminous painted deck flange] [PVC coated deck flange]; manufactured by Thaler Metal Industries, 1-800-387-7217 (Mississauga, Ontario, Canada) or 1-800-576-1200 (New Braunfels, TX), installed as per manufacturer's written instructions. Provide 20 year warranty against leaks, condensation and defects in materials and/or manufacture.

FORGED EYE (FARA-3/-13)

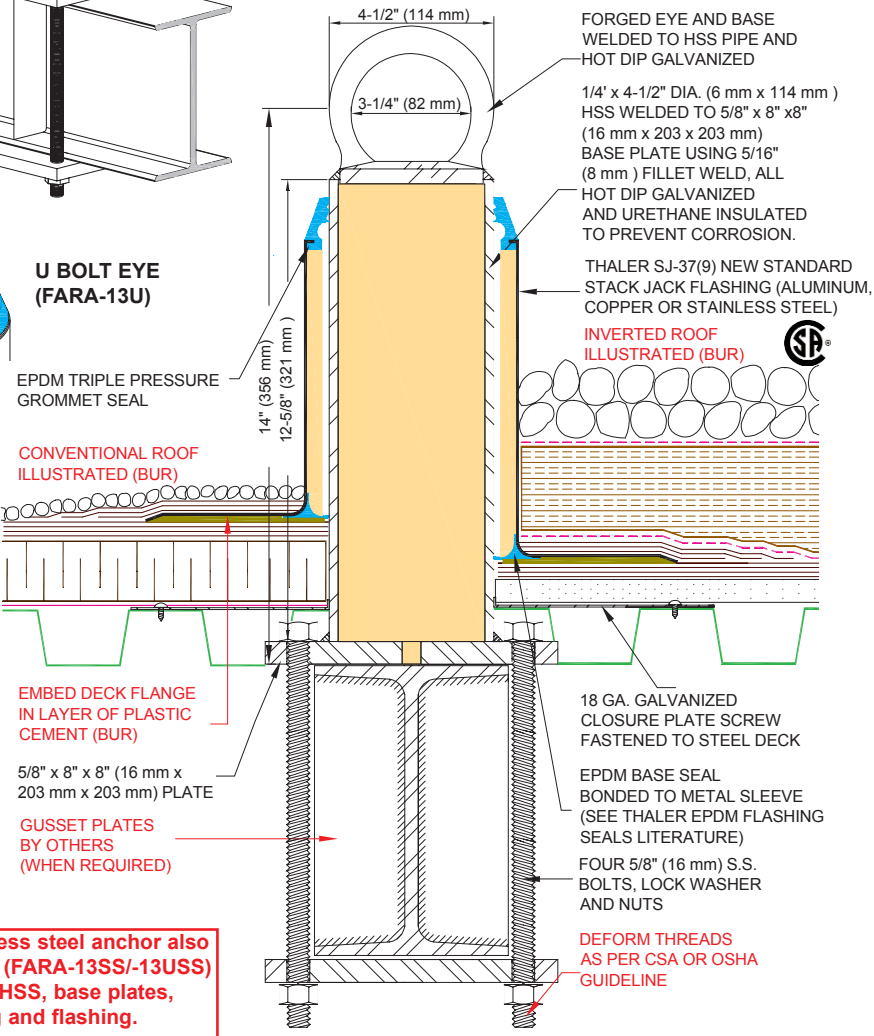
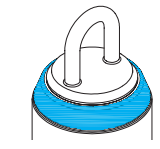


Anchor Type	Eye Construction	Load Direction	Deflection After Load of 5400 lbs (24.03 kN) was Released
FARA-3	Forged Eye, Galvanized	Perpendicular to the eye (x)	0.016" (0.406 mm)
		Parallel to the eye (y)	0.008" (0.203 mm)
FARA-13	Forged Eye, Stainless Steel	Perpendicular to the eye (x)	0.046" (1.168 mm)
		Parallel to the eye (y)	0.013" (0.330 mm)
FARA-13U	U Bolt, Stainless Steel	Perpendicular to the eye (x)	0.203" (5.156 mm)
		Parallel to the eye (y)	0.019" (0.482 mm)



Note: Anchors are designed to resist without fracture and/or pull-out a force of 5400 lbs (24.03 kN), applied in the most adverse direction (x).

U BOLT EYE (FARA-13U)



All stainless steel anchor also available (FARA-13SS/-13USS) e.g. eye, HSS, base plates, fastening and flashing.

FARA-3/-13/-13U FALL ARREST ROOF ANCHORS (Bolt Around Beam) PATENTED

INSTALLATION

"Installation Instructions" are provided with every Thaler product. Essentially, Thaler FARA-3/-13/-13U anchors are installed by bolting the anchor around a structural beam as per layout drawings, using a recommended tightening torque of 75 ft-lbf (100 Nm), then placing the flashing sleeve over the anchor and roof membrane, and as follows:

- BUR:** Set flashing deck flange in layer of plastic cement and flash in with 3 overlapping layers of felt flashing.
- ModBit:** Torch membrane until bitumen is fluid and set flashing flange into fluid. Flash in flange with two overlapping layers of ModBit and seal with asphalt sealer. Do not overheat (melt) EPDM base seal.
- Single Ply:** Set deck flange in layer of membrane adhesive and extend single ply up sleeve to highest elevation possible and clamp membrane to STACKJACK Flashing. Note: for PVC membrane, specify PVC coated STACKJACK by adding suffix P to end of model number e.g. FARA-3-A-P; weld roofing to deck flange using PVC torch.
- Precautions:** Apply an asphaltic or other type protective coating to aluminum STACKJACK Flashing to a height of 2" (51 mm) above a limestone ballast to avoid corrosive reaction. Also, if coating deck flange with bituminous paint on site, allow 24 hours for drying before applying roof membrane.
- Ordering:** Specify flashing material required by adding appropriate suffix to model number e.g. FARA-3-A, for aluminum, etc. Available throughout North America. Contact Thaler for list of distributors and current cost information. Most products are readily available from stock. **Note:** The FARA-13 stainless steel forged eye has a galvanized finish over top of the stainless steel. The process of galvanizing the lower part of the anchor requires the entire anchor to be dipped in the zinc bath, thereby covering the stainless steel eye. If there is any question about product received on site, the eye material may be checked with a magnet. Type 304 stainless steel is non-magnetic.

