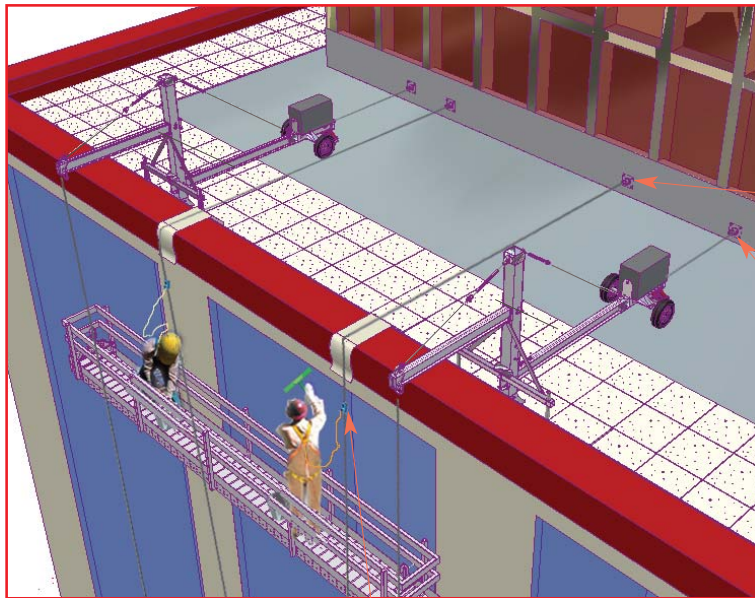


ROOF SPECIALTIES

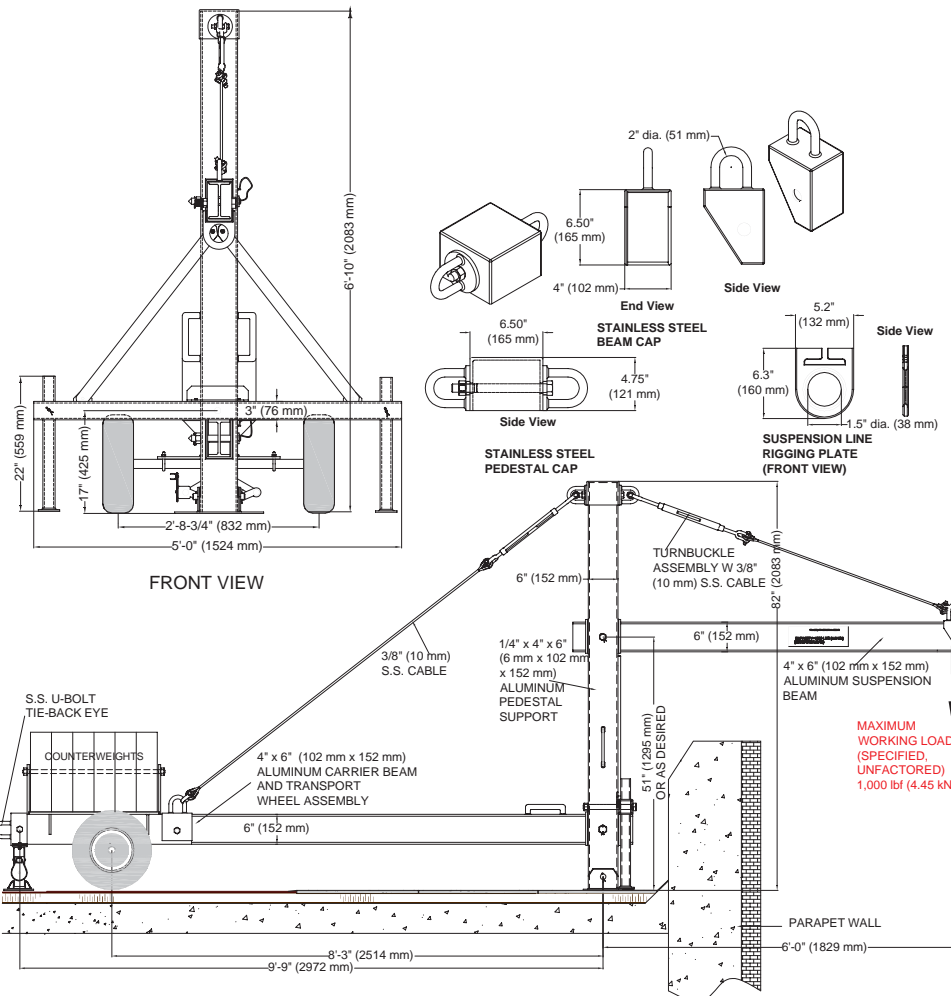
**FARA-155-P SERIES
PORTABLE
OUTRIGGERS**



Worker's Independent Lifeline Anchor

Tie-Back Wall Anchor

Rope Grab and Vertical Lifeline (by others) Note: For low parapets less than guardrail height, a horizontal lifeline is required to provide suitable fall protection at roof edge. See Thaler Horizontal Lifeline literature.



FARA-155-P PORTABLE OUTRIGGER

INSTALLATION

"User an/or Installation Instructions" are provided with every Thaler product. Essentially, the Thaler FARA-155-M Portable Outrigger is installed by placing and bolting transport wheel beam into position on the pedestal mast support, and then bolting the suspension beam to pedestal support, bolting A frame assembly to pedestal support, tensioning the turnbuckle assemblies at both sides, tying the tail of the wheel/carrier beam back to an anchor.

Ordering: Available throughout North America. Contact Thaler for list of distributors and current cost information.

DESCRIPTION

The Thaler FARA-155-P Portable Outrigger consists of a transportable aluminum framework with wheels, counterweights, outrigger beam, and tie-back eye. Tie-back and lifeline anchors are required somewhere farther back on the roof for tying back the outrigger, and for workers lifeline. Also, if the parapet is less than guardrail height, 36" or 42" minimum (915 mm or 1067 mm) depending on jurisdiction, a horizontal lifeline cable will be required for safe access to the roof edge (see Thaler EASY SLIDER Horizontal Lifeline System literature).

Prominent Features: Easily assembled or disassembled for maintenance contractor convenience, or alternatively assembled and stored on the roof (outdoors or indoors) by the building owner. Can be easily moved around the roof from station to station using the wide, solid rubber transport wheels. Structural integrity is backed by high \$7,000,000.00 liability insurance.

Options: Range of models to suit various parapet heights. Range of tie-back or lifeline anchors for all roof or wall types. See Section I of manual for anchor selection.

RECOMMENDED USE

Suitable for all low slope/flat roofs for suspending a ground rigged platform or single point access equipment such as baskets (cages) and manually or power operated boatswain chairs, for window cleaning or other exterior building maintenance.

APPLICABLE STANDARDS

Thaler FARA Outriggers and FARA or TWA Fall Arrest Roof Anchors conform to all Canadian and U.S. standards, Provincial and State labour/safety codes and materials standards relating to anchor fabrication, window cleaning and other suspended maintenance operations. Conformance includes CSA, OML, ASME, ANSI, IWCA, OSHA, AISC, AWS, and other references.

WARRANTY

20 year warranty against defects in materials and/or manufacture when assembled and used in accordance with Thaler "User Instructions". Copy of Warranty Certificate available upon request.

MAINTENANCE

Regulatory authorities require outriggers and safety tie-back anchors to be inspected annually with inspection data (date, inspector's name and comments) recorded in the Fall Protection Maintenance Log Book for Window Cleaning and/or Other Suspended Access Maintenance Operations (including travel restraint). Apart from this requirement, Thaler portable outriggers require no maintenance (maintenance free).

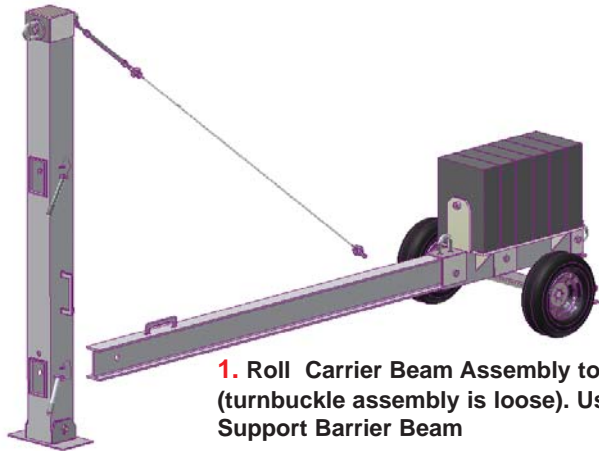
PLANNING SERVICE

Without obligation, Thaler will provide layout drawings for positioning of outriggers and fall arrest anchors in compliance with all applicable standards, safety regulations and local building codes.

SPECIFICATION (Short Form)

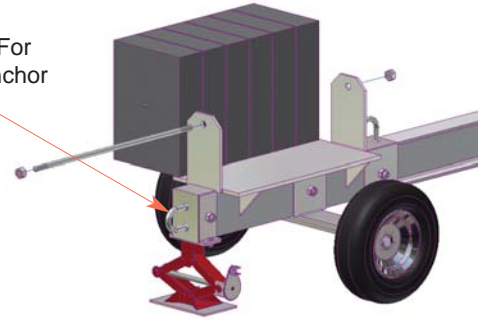
Portable Outrigger(s): Thaler FARA-155-P Portable Outrigger(s) to [CSA Z91-02] [OSHA 1910.66, Sub parts D and F], 15'-9" (4.8 m) overall length with 1/4" x 4" x 6" (6 mm x 102 mm x 152 mm) T-6061 aluminum pedestal support, suspension beam and carrier beam; 3/8" (10 mm) s.s. eye suspension line attachment rigging plate; transport wheel assembly; A frame assembly of 1/4" x 3" x 3" (6 mm 76 mm x 76 mm) aluminum tube and two 2" (51 mm) dia. alum. leg supports; s.s. turnbuckle assembly with 3/8" (10 mm) s.s. cable; s.s. end caps with s.s. U-bolt turnbuckle and tie-back eyes; [galvanized] [stainless steel] tie-back anchor and separate lifeline anchor; manufactured by Thaler Metal Industries, 1-800-387-7217 (Mississauga, Ontario, Canada) or 1-800-576-1200 (New Braunfels, TX), installed as per manufacturer's written instructions. Provide 20 year warranty against defects in materials and/or manufacture.

MAXIMUM WORKING LOAD (SPECIFIED, UNFACTORED)
1,000 lbf (4.45 kN)

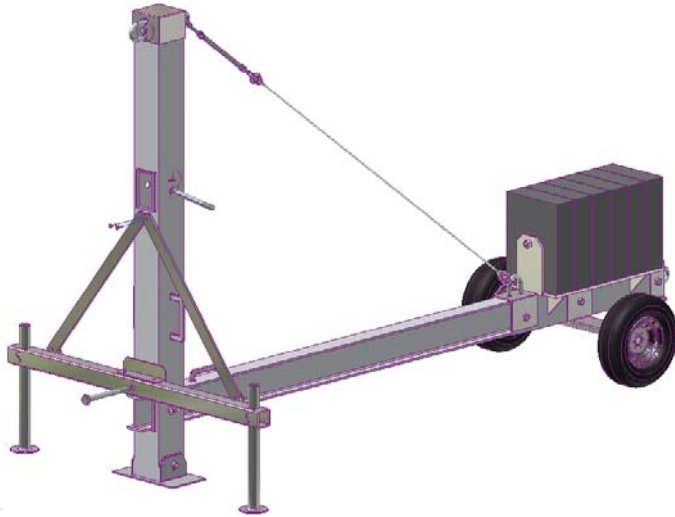


1. Roll Carrier Beam Assembly to Mast and Bolt Through (turnbuckle assembly is loose). Use the Rear Jack to Support Barrier Beam

U-Bolt Eye For Tie-Back Anchor



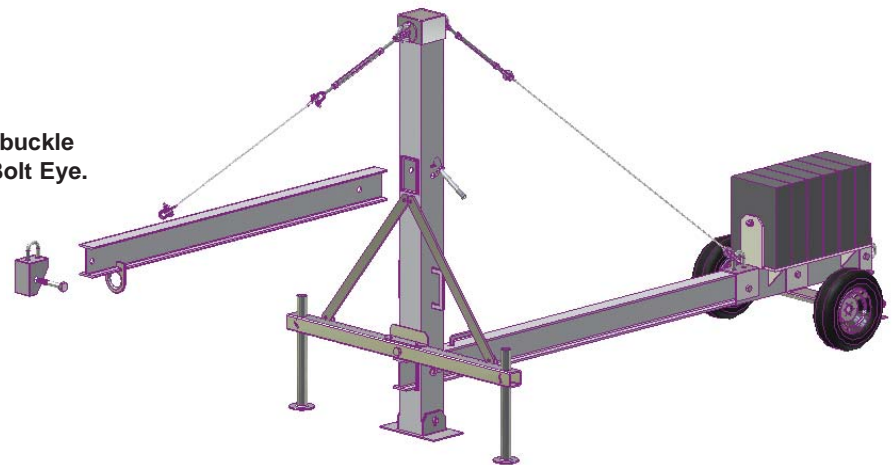
Blow-Up of Wheel and Counterweights Assembly



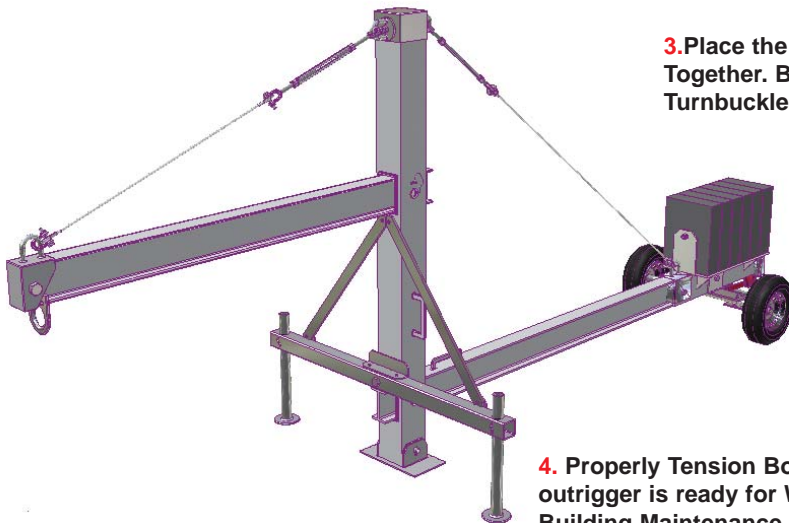
2. Bolt A-Frame Assembly to Pedestal. Turnbuckle Assembly is Still Loose but Attached to U-Bolt Eye.

FARA-155-P PORTABLE OUTRIGGER INSTALLED IN FOUR EASY STEPS

Note: To protect roof membrane, specify use of concrete pavers around perimeter of roof where window cleaning operations, etc. are being performed. At the very least, Thaler User/Installation Instructions will require maintenance contractor to place temporary plywood or similar protection under outrigger supports during use.



3. Place the Outrigger Beam into Pedestal Hole and Bolt Together. Bolt Cap to End of Beam. Loosely Attach Turnbuckle Assembly on Outrigger to U-Bolt Eye.



4. Properly Tension Both Turnbuckle Assemblies. Portable outrigger is ready for Window Cleaning or Other Exterior Building Maintenance