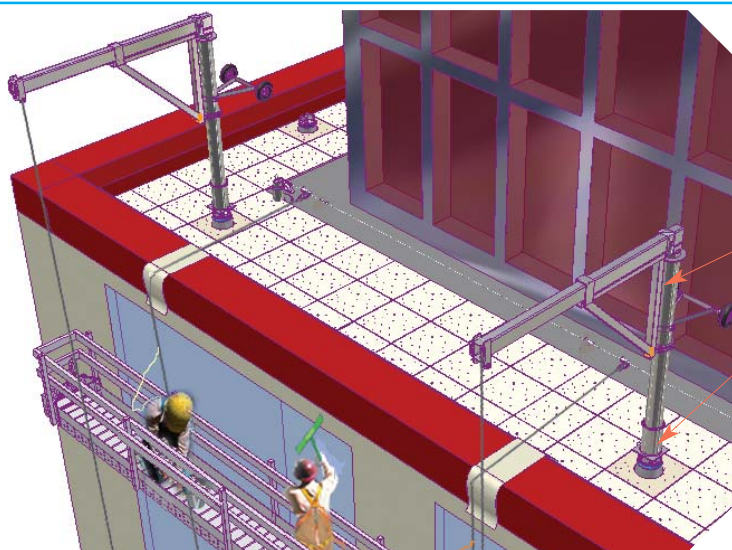


FARA-155-RH DAVIT ARM For Window Cleaning or Exterior Building Maintenance (Rotating Head)



FARA-155-RH
Davit Arm

FARA-150-RH
Davit Arm Base
With Mast
Holder
Attachment

DESCRIPTION

The Thaler FARA-155-RH Davit Arm consists of a round extruded aluminum mast, and a rectangular aluminum horizontal 360° rotating HSS boom equipped with a sliding stainless steel suspension line attachment point and reinforcing and other devices. The davit arm requires a Thaler FARA Davit Arm Base to complete the assembly (see separate FARA-150-RH literature). Also a separate fall arrest roof anchor is required for attaching each worker's safety lifeline.

Prominent Features: Structural integrity is backed by high \$7,000,000.00 liability insurance.

Options: See Thaler roof anchor literature for lifeline anchor options. See Thaler ARS-115 Rail Post Roof Support literature for roof edge guardrail protection, in lieu of horizontal lifeline.

RECOMMENDED USE

Suitable for all low slope/flat roofs for suspending a platform or single point access equipment such as a basket (cage) and manually or power operated boatswain chair.

APPLICABLE STANDARDS

Thaler FARA Davit Arms conform to all Canadian and U.S. standards, provincial and state labour/safety codes and materials standards relating to anchor fabrication, window cleaning and other suspended maintenance operations. Conformance includes CSA, OML, ASME, ANSI, IWCA, OSHA, AISC, AWS, and other references. See separate Thaler FARA Systems Fall Protection literature for specific data.

WARRANTY

20 year warranty against defects in materials and/or manufacture when installed in accordance with Thaler "Installation Instructions". Copy of Warranty Certificate available upon request.

MAINTENANCE

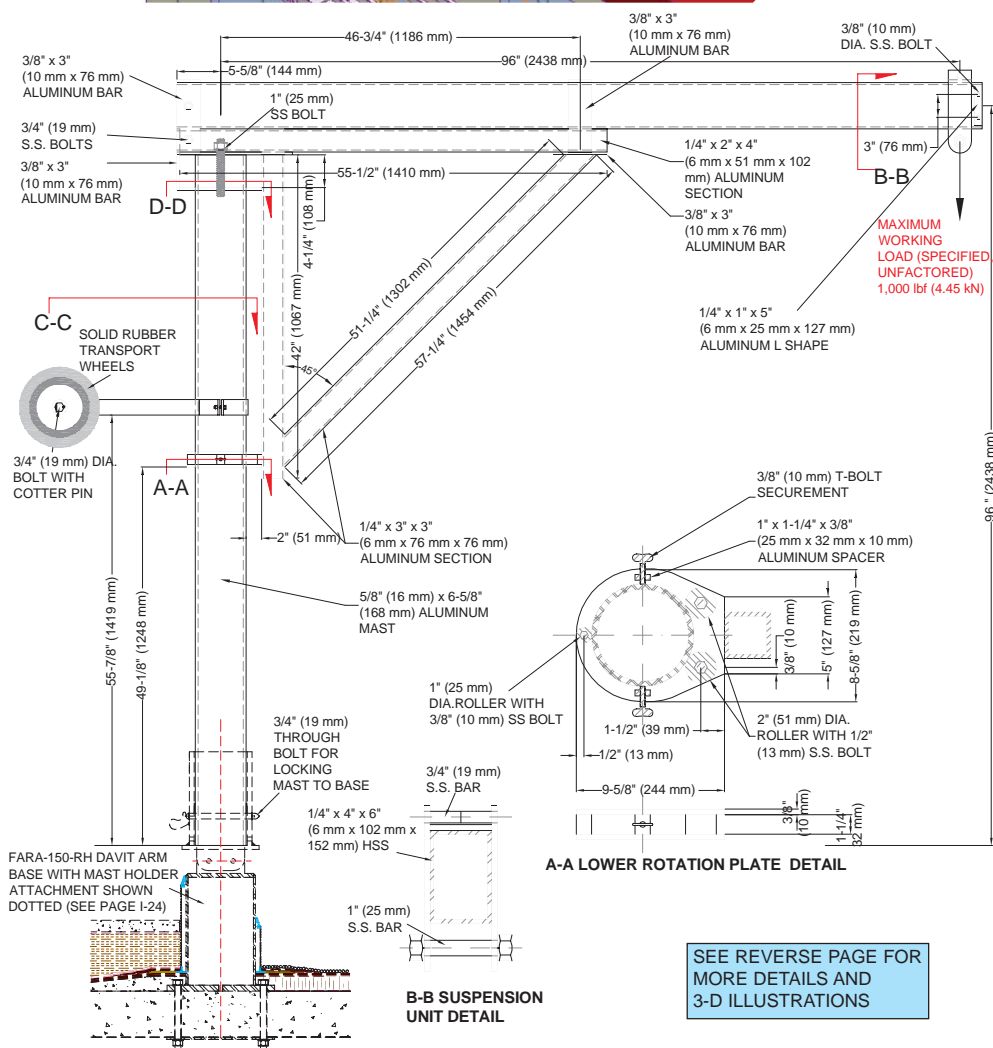
Regulatory authorities require davits to be inspected annually with inspection data (date, inspector's name and comments) recorded in the Fall Protection Maintenance Log Book for Window Cleaning and/or Other Suspended Access Maintenance Operations (including travel restraint). Apart from this requirement, Thaler anchors require no maintenance (maintenance free).

PLANNING SERVICE

Without obligation, Thaler will provide layout drawings for davit bases, davit arms and fall arrest anchors in compliance with all applicable standards, safety regulations and local building codes.

SPECIFICATION (Short Form)

Davit arms: Thaler FARA-155-RH complete davit arm assembly to [CSA Z91-02] [OSHA 1910.66, Sub parts D and F] for use with Thaler FARA-150-RH Davit Arm Base, with: mast 5/16" x 6-5/8" O.D. (8 mm x 168 mm) 6061-T6 extruded alum.; horizontal 6061-T6 alum. HSS rotating boom 1/4" x 4" x 6" (6 mm x 102 mm x 152 mm) with 1" (25 mm) dia. sliding s.s. suspension line attachment bolt and plates; strut reinforcing 1/4" x 3" x 3" (6 mm x 76 mm x 76 mm); solid rubber wheel assembly; manufactured by Thaler Metal Industries, 1-800-387-7217 (Mississauga, Ontario, Canada) or 1-800-576-1200 (New Braunfels, TX), installed as per manufacturer's written instructions. Provide 20 year warranty against defects in materials and/or manufacture.



FARA-155-RH DAVIT ARM
PATENTED

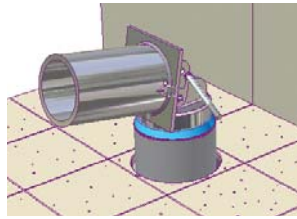
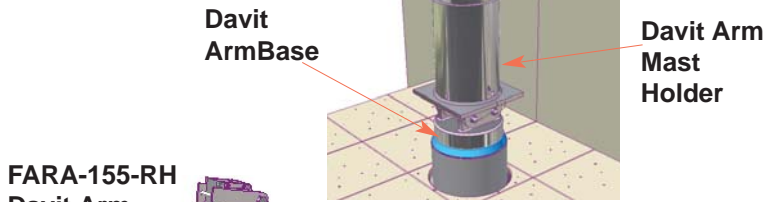
SEE REVERSE PAGE FOR
MORE DETAILS AND
3-D ILLUSTRATIONS

INSTALLATION

"Installation Instructions" are provided with every Thaler product. Essentially, the Thaler FARA-155-RH Davit Arm is installed by inserting the davit arm into the davit arm base, and as follows:

Davit arm: With the davit arm holder (attached to the FARA-150-RH Davit Arm Base) in the horizontal position, insert davit mast into the holder with one s.s. hinge pin, and manually raise the arm into position and secure with other s.s. hinge pin. Rotate mast so that davit arm locking lug is in a position opposite of the working arm position (see reverse page for illustrations). When not being used for maintenance, store arm in mechanical room or other location, preferably indoors.

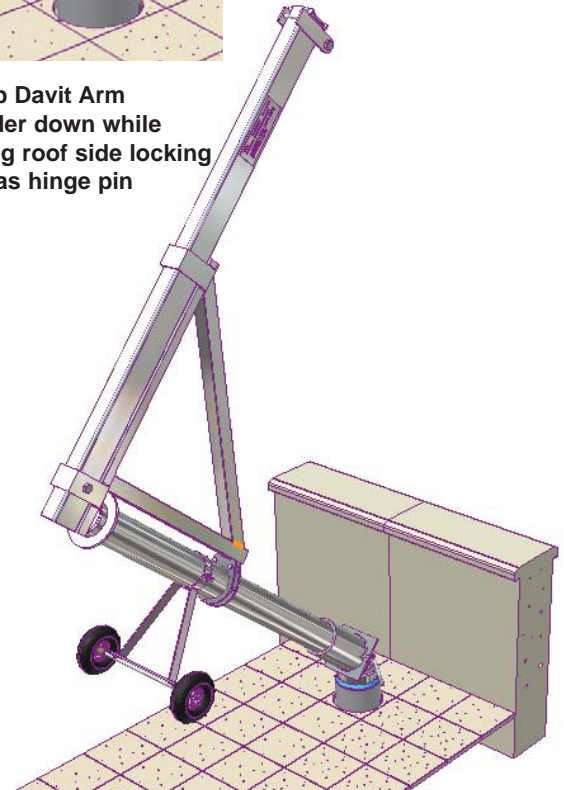
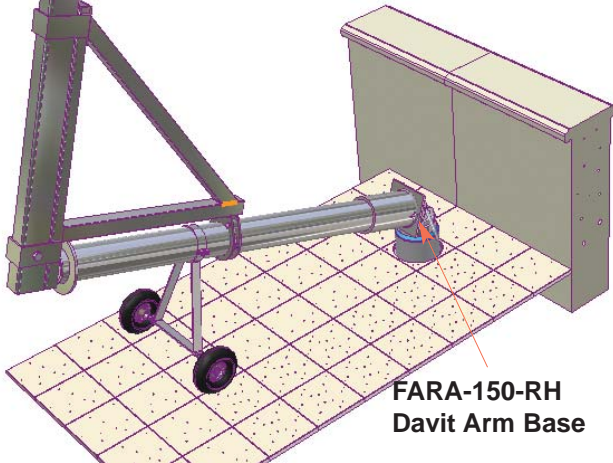
Ordering: Available throughout North America. Contact Thaler for list of distributors and current cost information. Most products are readily available from stock.



FARA-155-RH Davit Arm

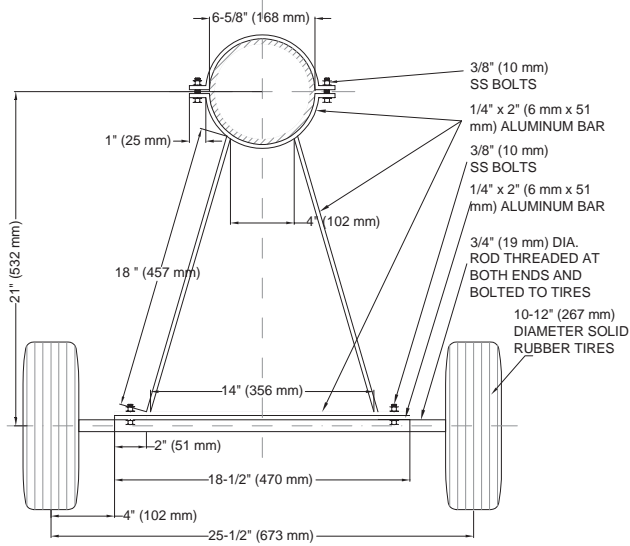
1. Place Davit Arm Holder over Davit Arm Base, while removing parapet side locking pin

2. Drop Davit Arm Holder down while using roof side locking pin as hinge pin

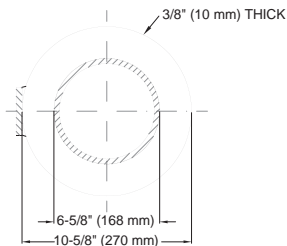


3. Roll Davit Arm into Davit Arm Base and lock mast into place.

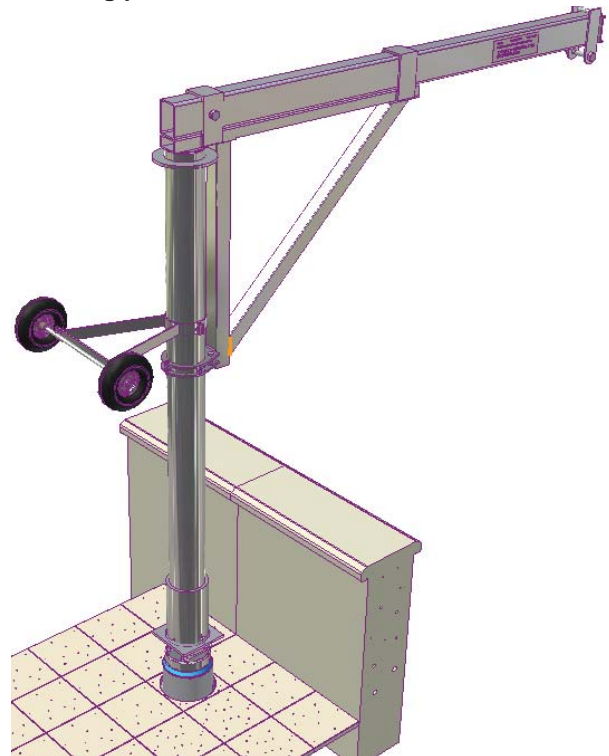
4. Manually raise the arm using hinge pin. Once the arm is the vertical position, insert the second locking pin.



C-C WHEEL ASSEMBLY DETAIL



D-D UPPER ROTATIONAL SUPPORT DETAIL



5. Completed davit arm installation ready for window cleaning or other exterior building maintenance.