

ROOF SPECIALTIES

FARA-100/-101/-110 FALL ARREST "ROPE STOP" ANCHORS

DESCRIPTION

Thaler FARA "Rope Stop" anchors are 3/4" (19 mm) diameter stainless steel anchor rods with a 90° bend at the top of the anchor. They are available in three different models:

1. Through bolt for flat roof (FARA-100)
2. Adhesive bolt for flat roof (FARA-101)
3. Adhesive bolt for the top of parapet wall (FARA-110)

Prominent Features: Anchor integrity is backed by \$7,000,000.00 liability insurance.

Options: See other Thaler FARA models for different securements.

RECOMMENDED USE

For structurally adequate concrete roof decks or parapet walls to limit lifeline or boatswain chair suspension line movement and to reduce swing fall hazard (stop swing fall or going around a corner if a fall should happen). Employed at strategic locations such as building corners to counteract wind hazard.

APPLICABLE STANDARDS

Thaler FARA anchors conform to all Canadian and U.S. standards, provincial and state labour/safety codes and materials standards relating to anchor fabrication, window cleaning and other suspended maintenance operations. Conformance includes CSA, OML, ASME, ANSI, IWCA, OSHA, CAL OSHA, AISC, AWS, and other references.

WARRANTY

20 year warranty against defects in materials and/or manufacture when installed in accordance with Thaler "Installation Instructions". Copy of Warranty Certificate available upon request.

MAINTENANCE

Regulatory authorities require anchors to be inspected annually with inspection data (date, inspector's name and comments) recorded in the Fall Protection Maintenance Log Book for Window Cleaning and/or Other Suspended Access Maintenance Operations (including travel restraint).

PLANNING SERVICE

Thaler will provide layout drawings for fall arrest anchors in compliance with all applicable standards, safety regulations and local building codes. A nominal, low-cost fee is charged for this service (refunded if Thaler secures the contract to supply the anchors).

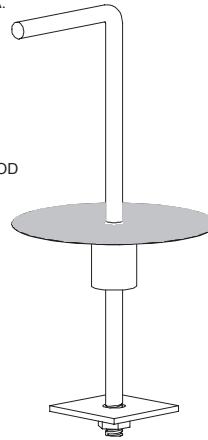
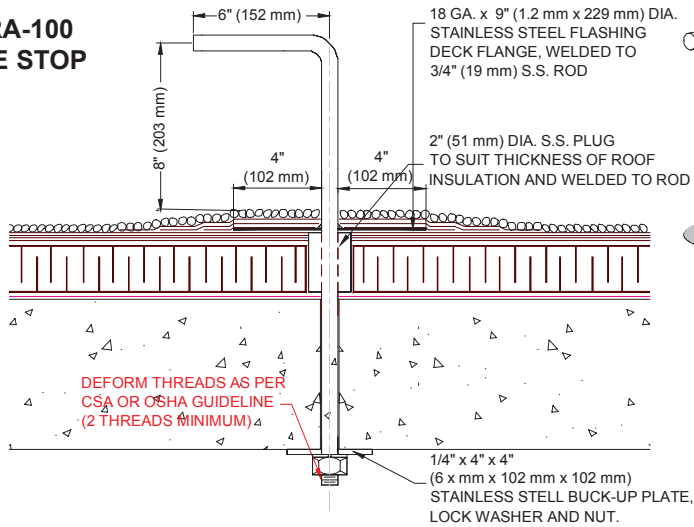
SPECIFICATION (Short Form)

Rope stop roof anchor: Thaler FARA-100 through bolt 3/4" (19 mm) dia. s.s. rope stop anchor to [CSA Z91-02] [OSHA 1910.66, Sub parts D and F] complete with 9" (229 mm) dia. x 18 ga. (1.2 mm) s.s. flashing deck flange welded to rope stop, 2" (51 mm) dia. s.s. stop plug to suit roof condition and 1/4" x 4" x 4" (6 mm x 102 mm x 102 mm) s.s. back up plate, lock washer and nut; manufactured by Thaler Metal Industries, 1-800-387-7217 (Mississauga, Ontario, Canada) or 1-800-576-1200 (New Braunfels, TX), installed as per manufacturer's written instructions. Provide 20 year warranty against defects in materials and/or manufacture.

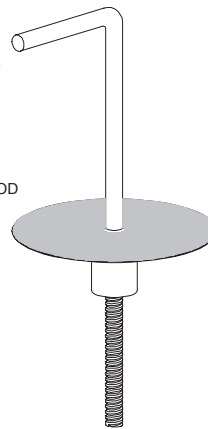
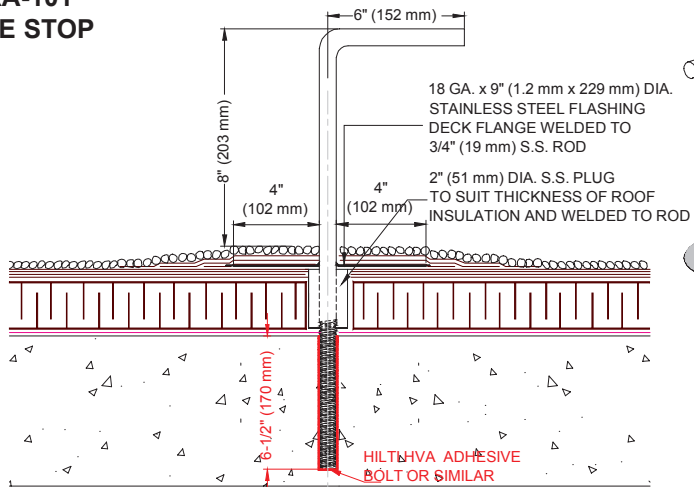
Rope stop roof anchor: Thaler FARA-101 adhesive bolt 3/4" (19 mm) dia. s.s. rope stop anchor to [CSA Z91-02] [OSHA 1910.66, Sub parts D and F], complete with 9" (229 mm) dia. x 18 ga. (1.2 mm) s.s. flashing deck flange welded to rope stop, 2" (51 mm) dia. s.s. stop plug to suit roof condition; manufactured by Thaler Metal Industries, 1-800-387-7217 (Mississauga, Ontario, Canada) or 1-800-576-1200 (New Braunfels, TX), installed as per manufacturer's written instructions. Provide 20 year warranty against defects in materials and/or manufacture.

Rope stop parapet anchor: Thaler FARA-110 adhesive bolt 3/4" (19 mm) dia. s.s. rope stop anchor to [CSA Z91-02] [OSHA 1910.66, Sub parts D and F], complete with 1/8" x 2" (3 mm x 51 mm) dia. s.s. stop washer welded to rope stop; manufactured by Thaler Metal Industries, 1-800-387-7217 (Mississauga, Ontario, Canada) or 1-800-576-1200 (New Braunfels, TX), installed as per manufacturer's written instructions. Provide 20 year warranty against defects in materials and/or manufacture.

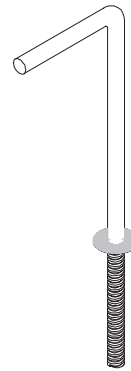
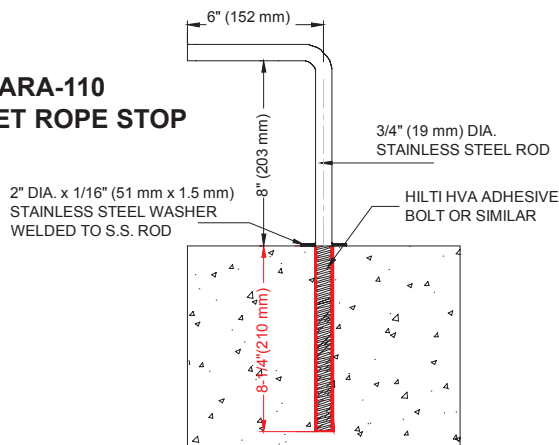
FARA-100 ROPE STOP



FARA-101 ROPE STOP



FARA-110 PARAPET ROPE STOP



FARA-100/-101/-110 FALL ARREST "ROPE STOP" ANCHORS

PATENTED

INSTALLATION

"Installation Instructions" are provided with every Thaler product. Essentially, Thaler FARA-100/-101/-110 roof stop anchors are installed by drilling a hole in the concrete roof deck or concrete parapet wall, as per bolt manufacturer's instruction, and using a maximum torque of 100 lbf-ft. (135 Nm), installing the anchor and as follows:

BUR: Set flashing deck flange in layer of plastic cement and flash in with 3 overlapping layers of felt flashing.

ModBit: Torch membrane until bitumen is fluid and set flashing flange into fluid. Flash in flange with two overlapping layers of ModBit and seal with asphalt sealer.

Single Ply: Set flashing deck flange in layer of membrane adhesive and adhere single ply to deck flange and seal as per membrane manufacturer's recommendations.

Parapet: Set anchors to depth of stop washer, apply metal parapet flashing and seal flashing to rope stop with caulking.

Ordering: Available throughout North America. Contact Thaler for list of distributors and current cost information. Most products are readily available from stock.