

ROOF SPECIALTIES FARA-96 "SWIVEL EYE" FALL ARREST TERRACE ANCHOR (Adhesive Bolt)

DESCRIPTION

The Thaler FARA-96 terrace anchor is a recessed floor anchor product, consisting of a special flat stainless steel swivel plate eye and galvanized base plate secured to a concrete structural deck using all types of fastening methods. The swivel plate is housed within a perforated, stainless steel box to help facilitate drainage and installation. A stainless steel cover plate, installed flush with the top of the terrace pavers, conceals the anchor when not in use.

Prominent Features: Anchor height is available from 3-3/4" to 14" (95 mm to 356 mm), as per site requirements. Anchor integrity is backed by \$7,000,000.00 liability insurance.

Options: If height of perforated stainless steel box is greater than 6" (152 mm), then a standard galvanized or stainless steel forged eye (fixed swivel) or a stainless steel U bolt eye, must be employed instead of the flat plate eye in order to meet strength requirements (see page I-20A).

RECOMMENDED USE

Suitable for terrace, promenade, balcony, or podium type decks employing paver slab roofing surface as a fall arrest anchor for securing workers' lifelines or the tying back of suspended access equipment such as outrigger beams and parapet wall clamps. Also suitable for suspension of boatswain chair. Ideal for retrofit.

APPLICABLE STANDARDS

Thaler FARA anchors conform to all Canadian and U.S. standards, provincial and state labour/safety codes and materials standards relating to anchor fabrication, window cleaning and other suspended maintenance operations. Conformance includes CSA, OML, ASME, ANSI, IWCA, OSHA, CAL, OSHA, AISC, AWS, and other references.

WARRANTY

20 year warranty (lifetime on all stainless steel) against **leaks, condensation and defects** in materials and/or manufacture when installed in accordance with Thaler "Installation Instructions". Copy of Warranty Certificate available upon request.

MAINTENANCE

Regulatory authorities require anchors to be inspected annually with inspection data (date, inspector's name and comments) recorded in the Fall Protection Maintenance Log Book for Window Cleaning and/or Other Suspended Access Maintenance Operations (including travel restraint). Apart from this requirement, Thaler anchors require no maintenance (maintenance free).

PLANNING SERVICE

Thaler will provide layout drawings for fall arrest anchors in compliance with all applicable standards, safety regulations and local building codes. A nominal, low-cost fee is charged for this service (refunded if Thaler secures the contract to supply the anchors).

SPECIFICATION (Short Form)

Fall arrest terrace anchors: Thaler FARA-96 anchor with 1/4" (6 mm) Type 304 stainless steel swivel plate eye to [CSA Z91-02] [OSHA 1910.66, Sub parts D and F] with: hot dip galvanized, hollow, ASTM 500C steel post (HSS) 1/4" (6 mm) wall thickness x 4-1/2" (114 mm) dia. welded to 5/8" x 8" x 8" (16 mm x 203 mm x 203 mm) 44W base plate prepared to receive four 5/8" (16 mm) dia. adhesive anchor bolts (by others); EPDM washer seal; 22 ga. x 11-1/2" x 11-1/2" (0.76 mm x 292 mm x 292 mm) perforated Type s.s. enclosure box with solid 1/8" x 12" x 12" (3 mm x 305 mm x 305 mm) s.s. pan formed cover; 22 ga. x 17-1/2" (0.76 mm x 445 mm) dia. s.s. flashing disc; manufactured by Thaler Metal Industries, 1-800-387-7217 (Mississauga, Ontario, Canada) or 1-800-576-1200 (New Braunfels, TX), installed as per manufacturer's written instructions. Provide 20 year warranty against defects in materials and/or manufacture.

A 22 GA. x 11-1/2" x 11-1/2" (0.76 mm x 292 mm x 292 mm) PERFORATED S.S. ENCLOSURE, HEIGHT TO SUIT PROMENADE DECK. IF HEIGHT ENCLOSURE IS GREATER THAN 6" (152 mm) USE FORGED EYE (FIXED OR SWIVEL) OR U BOLT EYE IN LIEU OF FLAT PLATE EYE. (SEE REVERSE SIDE OF PAGE)

B 1/8" x 12" x 12" (3 mm x 305 mm x 305 mm) STAINLESS STEEL COVER W/1/8" S.S. PIANO HINGE.

C ANCHOR HEIGHT IS AVAILABLE FROM 3-3/4" TO 14" (95 mm TO 356 mm) AS PER SITE REQUIREMENTS. (SEE REVERSE SIDE OF PAGE)

D 22 GA. x 17-1/2" DIA. (1.2 mm x 445 mm) 304 STAINLESS STEEL FLASHING

E ADHESIVE FASTENER BOLT. CUT 3/8" (9 mm) OR A MINIMUM OF THREE THREADS ABOVE NUT.

F GROUT, LEVELLED IN A 12" (305 mm) SQUARE AROUND AT ANCHOR AND TAPERING TO DECK 48" (1220 mm) RADIUS

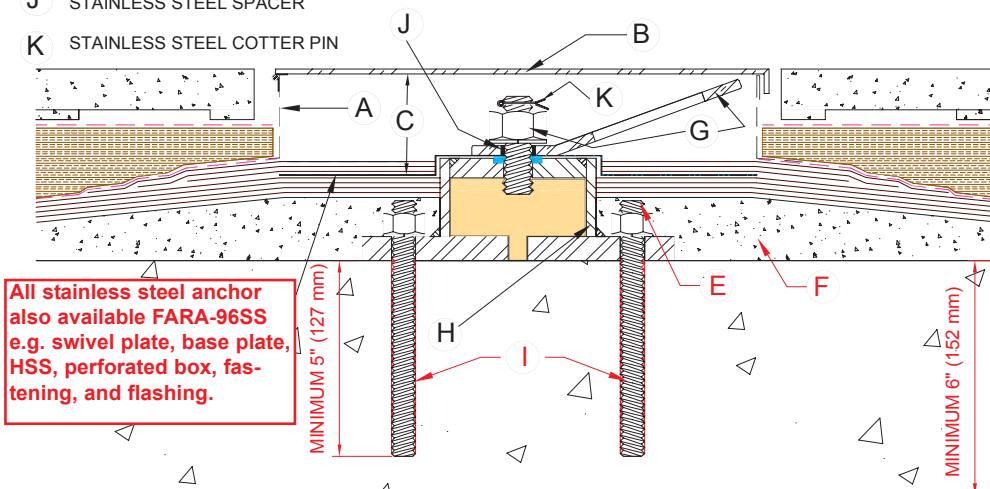
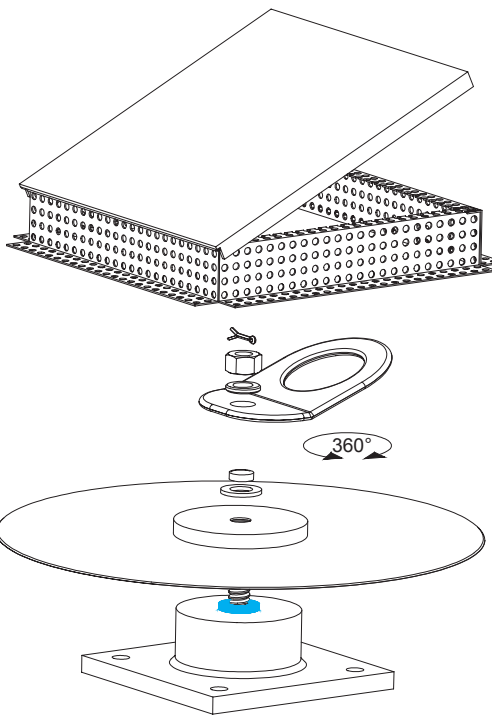
G 3/4" (19 mm) S.S. BOLT, NUT, LOCK WASHER AND EPDM WASHER WITH 1/4" x 7-3/8" x 5" (6 mm x 187 mm x 127 mm) TYPE 304 STAINLESS STEEL SWIVEL PLATE.

H 1/4" x 4-1/2" DIA. (6 mm x 114 mm) HSS WELDED TO 5/8" x 8" x 8" (16 mm x 203 mm x 203 mm) BASE PLATE USING 5/16" (8 mm) FILLET WELD AND HOT DIP GALVANIZED.

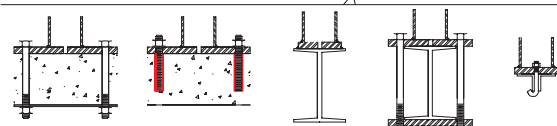
I FOUR 5/8" (16 mm) ADHESIVE FASTENERS (BY OTHERS).

J STAINLESS STEEL SPACER

K STAINLESS STEEL COTTER PIN



All stainless steel anchor also available FARA-96SS e.g. swivel plate, base plate, HSS, perforated box, fastening, and flashing.



ALTERNATIVE FASTENING METHODS

Anchor Type	Eye Construction	Load Direction	Deflection After Load of 5400 lbs (24.03 kN) was Released
FARA-96	STAINLESS STEEL SWIVEL PLATE	Parallel to the swivel plate (y)	0.088" (2.235 mm)

Anchors are designed to resist without fracture and/or pull-out a force of 5400 lbs (24.03 kN), applied in the most adverse direction. All testing reports available upon request.

FARA-96 FALL ARREST ANCHOR (Adhesive Bolt)

PATENTED

NOTE: REFER TO FOLLOWING PAGES FOR NON-STANDARD HEIGHT ANCHORS

INSTALLATION

"Installation Instructions" are provided with every Thaler product. Essentially, the Thaler FARA-96 anchor is installed by adhesive bolting (as per bolt manufacturer's instructions) the anchor to the structural concrete roof deck as per layout drawings, using a maximum torque of 125 lbf-ft. (1.69Nm), cutting and grouting over the adhesive anchor bolt ends, applying the roof membrane and flashing, and then finally installing the swivel plate and perforated enclosure box.

Ordering: Available throughout North America. Contact Thaler for list of distributors and current cost information. Most products are readily available from stock.