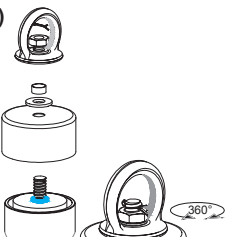
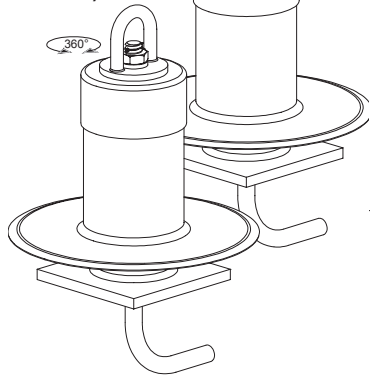


FORGED EYE (FARA-35/-45)



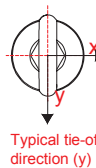
U BOLT EYE (FARA-45U)



Anchor Type	Eye Construction	Load Direction	Deflection After Load of 5400 lbs (24.03 kN) was Released
FARA-35	Forged Eye, Galvanized	Parallel to the eye (y)	0.088" (2.235 mm)
FARA-45	Forged Eye, Stainless Steel	Parallel to the eye (y)	0.085" (2.159 mm)
FARA-45U	U Bolt, Stainless Steel	Parallel to the eye (y)	0.095" (2.413 mm)

Note: Anchors are designed to resist without fracture and/or pull-out a force of 5400 lbs (24.03 kN), applied in the most adverse direction.

ALL TESTING REPORTS AVAILABLE UPON REQUEST

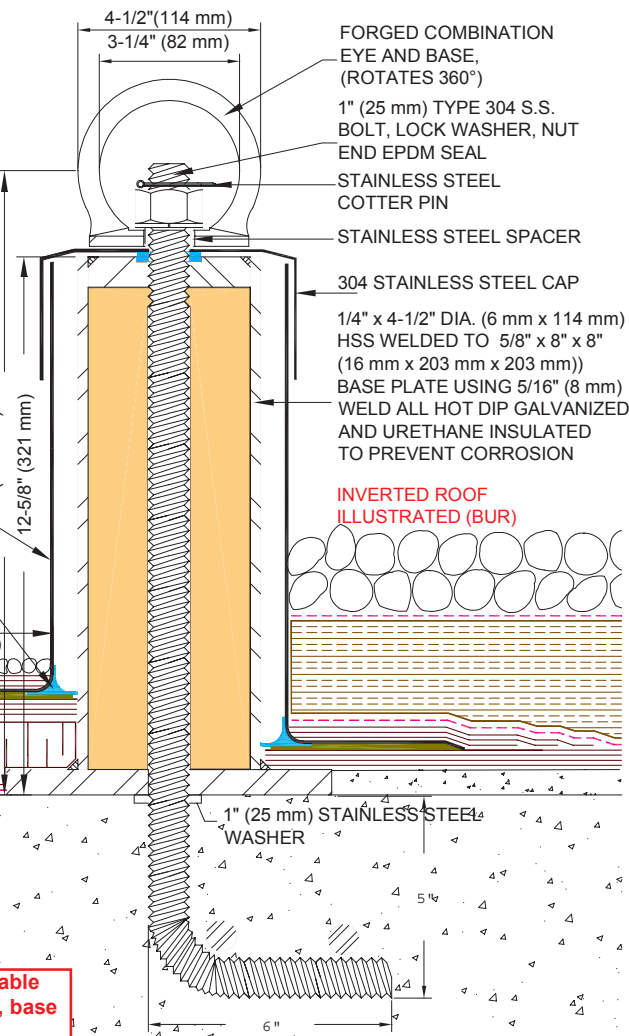


THALER SJ-105 NEW STANDARD STACK JACK FLASHING (ALUMINUM, COPPER OR STAINLESS STEEL)

EPDM BASE SEAL BONDED TO METAL SLEEVE (SEE EPDM FLASHING SEALS LITERATURE)

CONVENTIONAL ROOF ILLUSTRATED (BUR)

EMBED DECK FLANGE IN LAYER OF PLASTIC CEMENT



All stainless steel anchor also available (FARA-45SS/-45USS) e. g. eye, HSS, base plate, fastening and flashing.

FARA-35/-45/-45U FALL ARREST ROOF ANCHORS (Cast-In-Place)

PATENTED

NOTE: REFER TO PAGES I-34, I-35, I-36 FOR NON-STANDARD HEIGHT ANCHORS

INSTALLATION

"Installation Instructions" are provided with every Thaler product. Essentially, Thaler FARA-35/-45/-45U anchors are installed by casting the anchor into the structural concrete roof deck as per layout drawings, using a maximum torque of 125 lbf-ft. (1.69 Nm), then placing the flashing sleeve over the anchor and roof membrane, installing the cap, and as follows:

- BUR:** Set flashing deck flange in layer of plastic cement and flash in with 3 overlapping layers of felt flashing.
- ModBit:** Torch membrane until bitumen is fluid and set flashing flange into fluid. Flash in flange with two overlapping layers of ModBit and seal with asphalt sealer. Do not overheat (melt) EPDM base seal.
- Single Ply:** Set deck flange in layer of membrane adhesive and extend single ply up sleeve to top of anchor underneath the cap. Note: for PVC membrane, specify PVC coated STACKJACK by adding suffix P to end of model number e.g. FARA-35-A-P; weld roofing to deck flange using PVC torch.
- Precautions:** Apply an asphaltic or other type protective coating to exposed aluminum STACKJACK Flashing to a height of 2" (51 mm) above a limestone ballast to avoid corrosive reaction. Also, if coating deck flange with bituminous paint on site, allow 24 hours for drying before applying roof membrane.
- Ordering:** Specify flashing material required by adding appropriate suffix to model number e.g. FARA-35-A, for aluminum, etc. Available throughout North America. Contact Thaler for list of distributors and current cost information. Most products are readily available from stock.

ROOF SPECIALTIES

FARA-35/-45/-45U "SWIVEL EYE" FALL ARREST ROOF ANCHORS (Cast-In-Place)

DESCRIPTION

Thaler FARA cast-in-place anchors consist of a urethane insulated hollow steel post (HSS) and base plate, single stainless steel bolt for securing to concrete roof slab, flashing sleeve, and stainless steel cap assembly. The top of the anchor is available with three different eye options:

- With very high strength, galvanized forged eye (FARA-35). All stainless steel (FARA-45SS).
- With very high strength, stainless steel forged eye (FARA-45). All stainless steel (FARA-45SS).
- With high strength, stainless steel U Bolt (FARA-45U). All stainless steel (FARA-45USS).

Prominent Features: Swivel eye follows direction of line attachment. Re-usable. Condensation and maintenance free (attractive, neat flashing never needs caulking; see Thaler EPDM Flashing Seals literature). Anchor integrity is back by \$7,000,000.00 liability insurance.

Options: PVC coated flashing deck flange for PVC roof membrane. Bituminous painted flashing deck flange for BUR and ModBit roof membrane. See other Thaler FARA models for different securements.

RECOMMENDED USE

Suitable for all flat roofs as fall arrest anchors for securing workers' lifelines or the tying back of suspended access equipment such as outrigger beams and parapet wall clamps. Also suitable for suspension of boatswain chair. Ideal for re-roofing.

APPLICABLE STANDARDS

Thaler FARA anchors conform to all Canadian and U.S. standards, provincial and state labour/safety codes and materials standards relating to anchor fabrication, window cleaning and other suspended maintenance operations. Conformance includes CSA, OML, ASME, ANSI, IWCA, OSHA, CAL, OSHA, AISC, AWS, and other references. Thaler STACKJACK Flashing conforms to CSA B272-93. See Thaler FARA Systems Fall Protection literature for specific data.

WARRANTY

20 year warranty (lifetime on all stainless steel) against leaks, condensation and defects in materials and/or manufacture when installed in accordance with Thaler "Installation Instructions". Copy of Warranty Certificate available upon request.

MAINTENANCE

Regulatory authorities require anchors to be inspected annually with inspection data (date, inspector's name and comments) recorded in the Fall Protection Maintenance Log Book for Window Cleaning and/or Other Suspended Access Maintenance Operations (including travel restraint). Apart from this requirement, Thaler anchors require no maintenance (maintenance free).

PLANNING SERVICE

Thaler will provide layout drawings for fall arrest anchors in compliance with all applicable standards, safety regulations and local building codes. A nominal, low-cost fee is charged for this service (refunded if Thaler secures the contract to supply the anchors).

SPECIFICATION (Short Form)

Fall arrest roof anchors: Thaler [FARA-35 with galvanized forged 1018 steel eye] [FARA-45 with Type 304 stainless steel forged eye] [FARA-45U with Type 304 stainless steel U bolt] swivel eye roof anchor with Type 304 s.s. cap assembly to [CSA Z91-02] [OSHA 1910.66, Sub parts D and F] with: EPDM weather seal, top nut, washer, s.s. cotter pin; urethane insulated, hollow, hot dipped galvanized ASTM 500C steel post (HSS) 1/4" (6 mm) wall thickness x 4-1/2" (114 mm) dia. x 12" (305 mm) high welded to 5/8" x 8" x 8" (16 mm x 203 mm x 203 mm) 44W base plate; single 1" (25 mm) Type 304 s.s. bolt with EPDM weather seal, top nut and washer; 1" (25 mm) s.s. washer; manufacturer's standard flashing of [.064" (1.6 mm) mill finish 1100-OT alloy aluminum] [.032" (0.831 mm) 24 oz. copper] [.031" (0.79 mm) 22 ga. Type 304 stainless steel] to CSA B272-93, with EPDM Base Seal and [bituminous painted deck flange] [PVC coated deck flange]; manufactured by Thaler Metal Industries, 1-800-387-7217 (Mississauga, Ontario, Canada) or 1-800-576-1200 (New Braunfels, TX), installed as per manufacturer's written instructions. Provide 20 year warranty against defects in materials and/or manufacture.